

PTC-resistor relay type MSF 220 V

for dry transformers, 3 PTC-circuits

MSF 220 V



The MSF 220 V is particularly suitable for the temperature monitoring at dry transformers. 3 PTC-circuits with different nominal response temperatures (NRT) can be connected to this unit, one for controlling an fan (forced cooling) and two for alarms.

Each PTC-circuit is monitored for break and short circuit. This reduces the probability of false alarms.

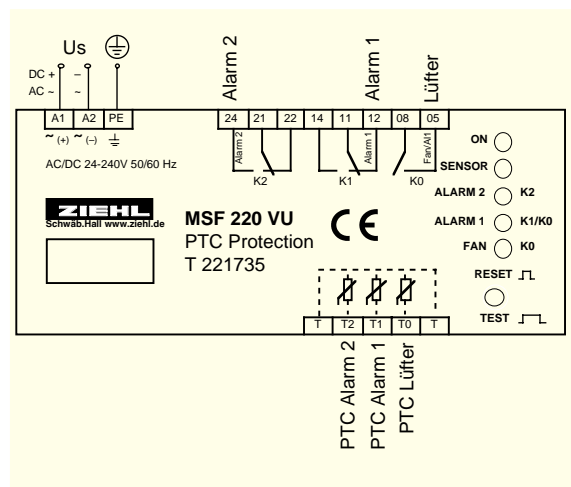
- 3 PTC-circuits
- MSF 220 VU for universal supply voltage AC/DC 24-240 V
- intelligent control of fan (relay K0, 1 normally-open contact)
- ALARM 1 in closed-circuit current mode (relay K1, 1 change-over contact) for pre-alarm. Signals also error in any sensor and interruption of supply voltage.
- ALARM 2 in operation current mode (relay K2, 1 change-over contact). No signal when switching on and off the supply voltage.
- all output relays potentially separated from each other.
- monitoring of sensor lines

- TEST-button (stop possible before ALARM 2)
- LEDs for ON, sensor error, Fan, ALARM 1 and ALARM 2
- plug-in terminals
- housing for mounting on DIN-rail or wall-mount

Order numbers:

MSF 220 V AC 230/240 V **T 221736**
 MSF 220 VU AC/DC 24-240 V **T 221735**

Connection diagram:



Technical data

rated supply voltage U_s	AC 220 - 240 V \pm 10 %, 50/60 Hz, \leq 3 VA AC/DC 24 - 240 V \pm 15 %, < 3 VA
connectable PTC resistors	3 x 1... 6 PTC according to DIN 44 081 or 44 082
switching point	< 4000 Ω
output relays	2 x 1 change-over contacts, 1 normally-open contact
type of contact	type 2 (see "general technical informations")
test conditions	see "general technical informations"
rated ambient temperature range	-20... +55 °C
dimensions (h x w x d)	design V 6: 90 x 105 x 58 [mm]
attachment	on 35 mm DIN rail according to DIN EN 50 022 or with screws M4
protection housing / terminals	IP 30 / IP 20
weight	approx. 320 g

