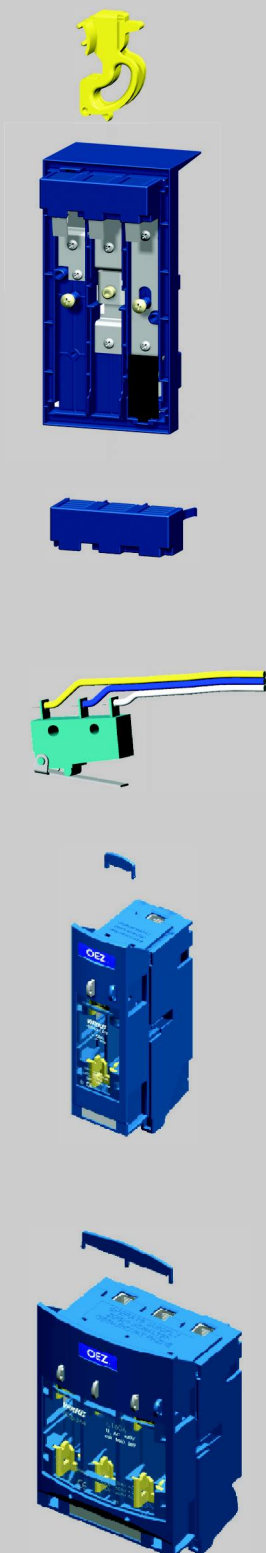


FUSE SWITCH-DISCONNECTORS VARIUS FOR FUSE-LINKS WITH BLADE CONTACTS SIZE 000

Accessories

Description	Type	Product code	Weight [kg]	Packing [pcs]
Locking insert for locking the disconnecter cover for FH000-1... and FH000-3..., max. diameter of the padlock suspension loop is 4.5 mm, padlock is not included in the delivery	VU-LSN	09087	0.006	1

Adapter for 60 mm busbar system, busbar thickness $5 \div 12$ mm, busbar width $12 \div 32$ mm, for 3-pole fuse switch-disconnector FH000-3... universal for cable outlet from the disconnecter at the top or at the bottom	OD-FH000-AL60	18643	1.390	1
--	---------------	-------	-------	---

Additional cover of connecting area for adapter OD-FH000-AL60, identical for both top and bottom areas, for 3-pole fuse switch-disconnector FH000-3...	OD-FH000-KPA	18652	0.038	1
---	--------------	-------	-------	---

Remote signalling of hinged cover position for FH000-1... and FH000-3... with cable length 1 m, possibility of mounting up to 2 signalling in one fuse switch-disconnector. When using OD-FH-SK U _{mp} is reduced to 4 kV (see the diagram for connection)	OD-FH-SK	12929	0.038	1
--	----------	-------	-------	---

Barrier against accidental contact for FH000-1	OD-FH000-Z1	15185	0.005	1
---	-------------	-------	-------	---

Barrier against accidental contact for FH000-3...	OD-FH000-Z3	15186	0.008	1
--	-------------	-------	-------	---

FUSE SWITCH-DISCONNECTORS **VARIUS** FOR FUSE-LINKS WITH BLADE CONTACTS SIZE 000

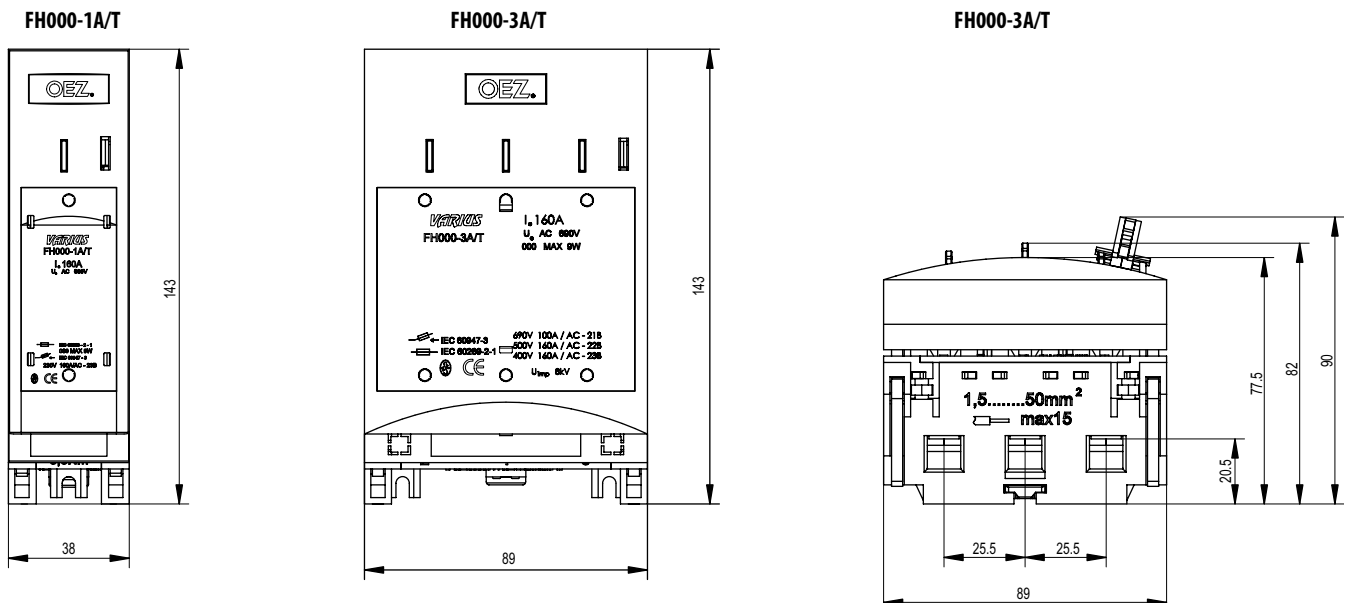
Parameters

Type	FH000	
Rated voltage	U_n	690 V a.c. 440 V d.c.
Rated current	I_n	160 A
Utilization category		AC23B at 400 V a.c. AC22B at 500 V a.c. AC21B at 690 V a.c. DC22B at 250 V d.c. DC20B at 440 V d.c.
Thermal current with fuse-link	I_{th}	160 A
Rated frequency	f	40 - 60 Hz
Rated insulation voltage	U_i	800 V a.c.
Conditional short-circuit current (RMS)	I_{kn}	120 kA for 400 V a.c./160 A 120 kA for 500 V a.c./100 A 80 kA for 690 V a.c./100 A 50 kA for 500 V a.c./160 A
Impulse withstand voltage	U_{imp}	8 kV for FH000 - .A/.
Fuse-link size		000
Max. power losses of the fuse-link	P_v	9 W
Power losses at I_n without fuse-link	P_v	7 W
Electrical durability	operating cycles	300 at 100 A 200 at 160 A
Mechanical durability	operating cycles	2000
Degree of protection from front side, built-in device, cover closed (measuring holes filled)		IP 30
Degree of protection from front side, built-in device, cover opened		IP 20
Permissible ambient temperature		- 25 ÷ + 55 °C
Altitude above sea level		max. 2000 m
Pollution degree		3
Overvoltage category for 690 V a.c.		III
Seismic resistance		0.25 ÷ 50 Hz/3g
Torque of outlet terminals		3 ÷ 3.5 Nm
Standards		IEC 60 947-1, -3 EN 60 947-1, -3

Approval marks



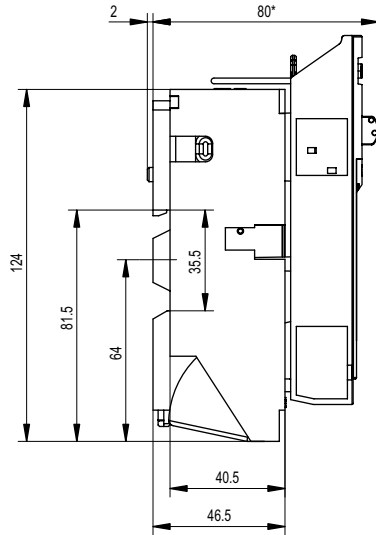
Dimensions



FUSE SWITCH-DISCONNECTORS **VARIUS** FOR FUSE-LINKS WITH BLADE CONTACTS SIZE 000

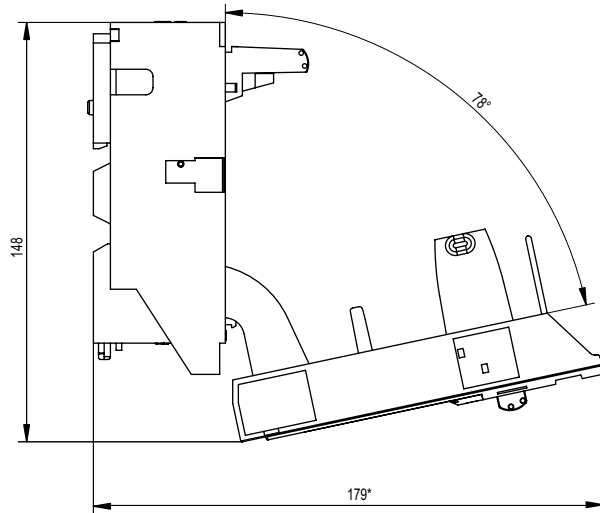
Dimensions

FH000-1A/T and FH000-3A/T



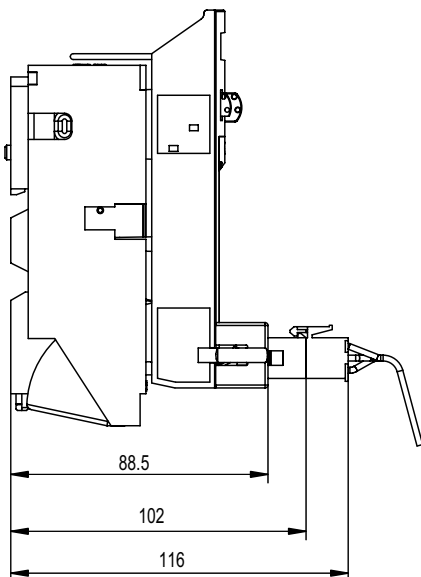
* for FH000-3A/T=82

FH000-1A/T and FH000-3A/T

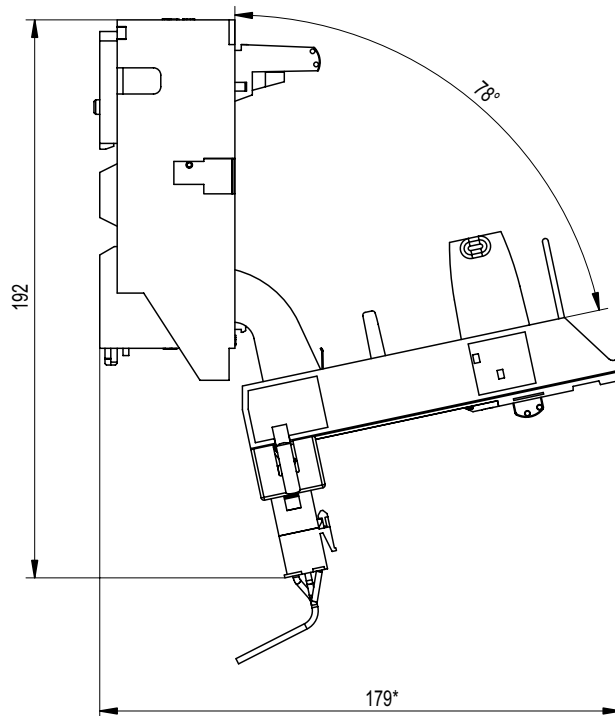


*for FH000-3A/T=181

FH000-1S/T and FH000-3S/T



FH000-1S/T and FH000-3S/T

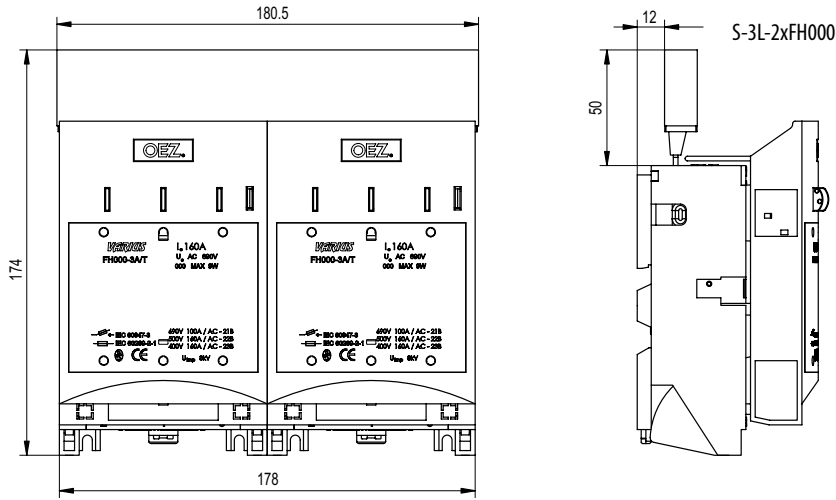


* for FH000-3S/T=181

FUSE SWITCH-DISCONNECTORS **VARIUS** FOR FUSE-LINKS WITH BLADE CONTACTS SIZE 000

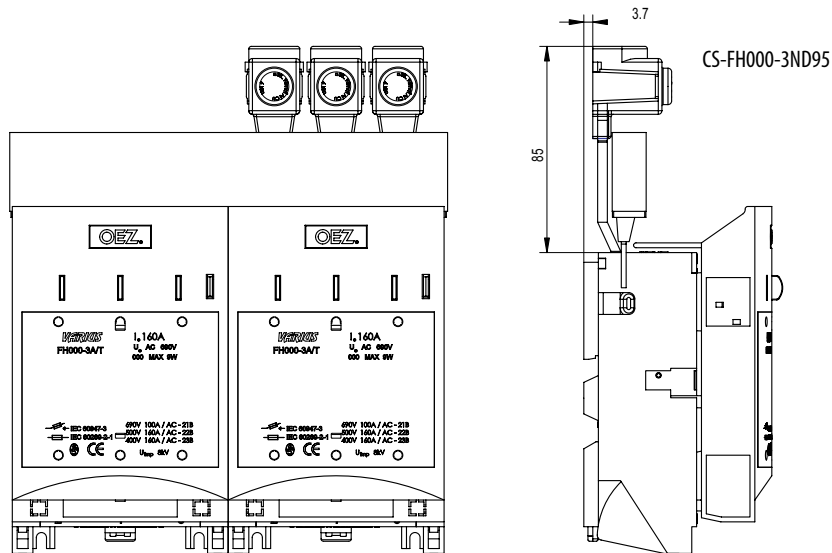
Dimensions

3-pole fuse switch-disconnectors FH000-3./T with busbar S-3L-2x FH000 or S-3L-3x FH000



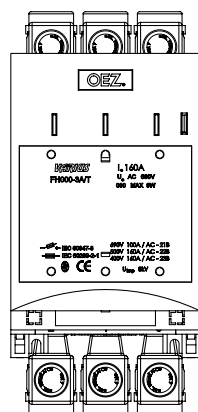
3-pole fuse switch-disconnectors FH000-3./T with busbar S-3L-2x FH000 or S-3L-3x FH000 and terminal extensions CS-FH000-3ND95

S-3L-2x FH000



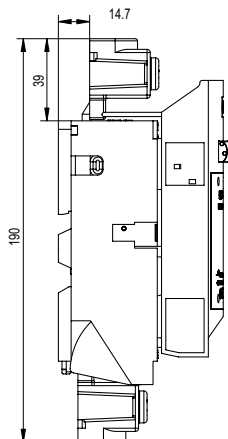
3-pole fuse switch-disconnector FH000-3./N with terminal extensions CS-FH000-3NV95 at the top and CS-FH000-3ND95 at the bottom

CS-FH000-3NV95



CS-FH000-3ND95

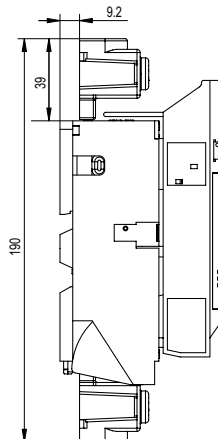
CS-FH000-3NV95



CS-FH000-3ND95

3-pole fuse switch-disconnector FH000-1./N with terminal extensions CS-FH000-1NP95 both at the top and at the bottom

CS-FH000-1NP95

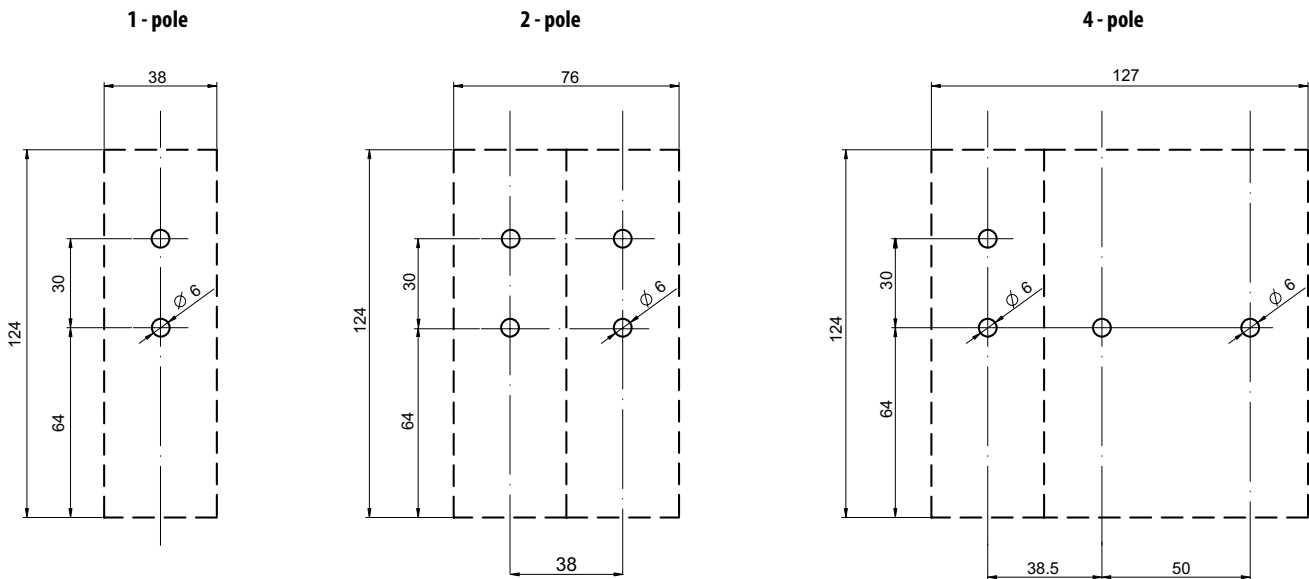


CS-FH000-1NP95

FUSE SWITCH-DISCONNECTORS **VARIUS** FOR FUSE-LINKS WITH BLADE CONTACTS SIZE 000

Dimensions

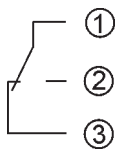
Clearance and drilling plans



Diagram

Remote signalling of fuse condition in 1-pole fuse switch-disconnector

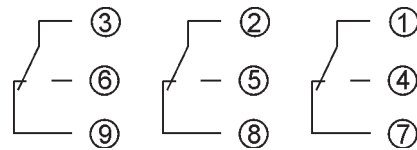
State of contacts with not operated fuse-link:
contacts 1 – 3 connected



5 A/250 V a.c.
0.2 A /250V d.c.

Remote signalling of fuse condition in 3-pole fuse switch-disconnector

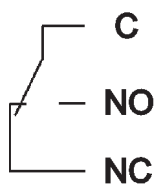
State of contacts with not operated fuse-link:
contacts 1 – 3, 2 – 8, 3 – 9 connected



5 A/250 V a.c.
0.2 A /250V d.c.

Remote signalling of hinged cover position in 1-pole and 3-pole fuse switch-disconnector

State of contacts with closed cover:
contacts C – NO connected



(yellow)

(blue)

(green)

5 A/250 V a.c.
0.2 A /250V d.c.

FUSE SWITCH-DISCONNECTORS VARIUS FOR FUSE-LINKS WITH BLADE CONTACTS SIZE 00 AND 000

Fuse switch-disconnector FH00 is intended for fuse-links with blade contacts size 00 and 000. It enables safe disconnection of rated currents and overcurrents according to the utilization category and operating voltage. Version

with fuse monitoring allows remote fuse-link operation signalling in every pole independently using standard visual indication of the fuse-links with blade contacts.

- It is equipped with a label for description of the protected circuit.
- Measuring holes in the cover.
- Basic version with terminal inbus screws M8 for cabel lugs max. \varnothing 27 mm.
- Connection sets with terminal inbus screws.
- Variability of connection sets including rear connection.
- It is possible to lock the cover.

Mounting:

- Directly on the panel with screws.
- On 60 mm busbar system by adapter.

Fuse switch-disconnector up to 160A

Type	Product code	Design	Weight [kg]	Packing [pcs]
FH00-1A/F	18621	single-pole, version with terminal inbus screws M8	0.270	1

FH00-1S/F	18623	single-pole, with fuse monitoring, connector with cable length 1 m, version with terminal inbus screws M8, fuse switch-disconnector cover can be ordered as a spare part	0.287	1
-----------	-------	--	-------	---

FH00-3A/F	18622	three-pole, version with terminal inbus screws M8	0.677	1
-----------	-------	---	-------	---

FH00-3S/F	18624	three-pole, with fuse monitoring, connector with cable length 1 m, version with terminal inbus screws M8, fuse switch-disconnector cover can be ordered as a spare part	0.712	1
-----------	-------	---	-------	---

FH00-3SB/F	18625	three-pole, with fuse monitoring, connector without cable, version allows arbitrary connection according to the user needs, version with terminal inbus screws M8	0.700	1
------------	-------	---	-------	---



FUSE SWITCH-DISCONNECTORS **VARIUS** FOR FUSE-LINKS WITH BLADE CONTACTS SIZE 00 AND 000



Connection sets

Description	Type	Product code	Weight [kg]	Packing [pcs]
Clip terminal for 1-pole fuse switch-disconnector FH00-1./F, connection of Cu conductors of cross-section $2.5 \div 50 \text{ mm}^2$, torque 3 Nm	CS-FH00-1S	18626	0.018	1

Prismatic clamp for 1-pole fuse switch-disconnector FH00-1./F, connection of Cu/Al conductors of cross-section $35 \div 70 \text{ mm}^2$, torque 2.5 Nm	CS-FH00-1P1	18628	0.114	1
---	--------------------	-------	-------	---

Clip terminals - set of 3 pcs for 3-pole fuse switch-disconnector FH00-3./F, connection of Cu conductors of cross-section $2.5 \div 50 \text{ mm}^2$, torque 3 Nm	CS-FH00-3S	18627	0.054	1
---	-------------------	-------	-------	---

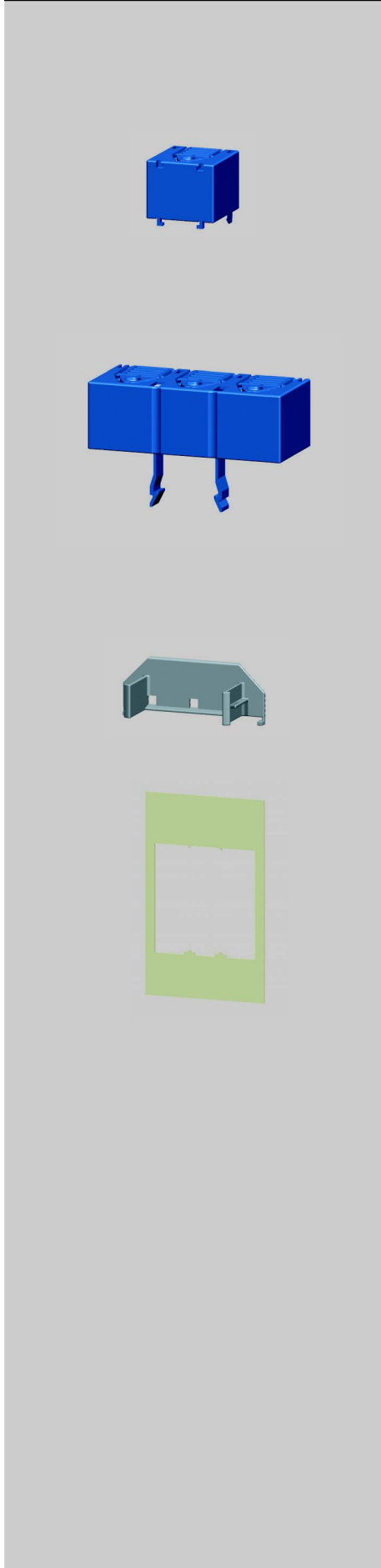
Prismatic clamps - set of 3 pcs for 3-pole fuse switch-disconnector FH00-3./F, connection of Cu/Al conductors of cross-section $35 \div 70 \text{ mm}^2$, torque 2.5 Nm	CS-FH00-3P1	18629	0.342	1
---	--------------------	-------	-------	---

Accessories

Description	Type	Product code	Weight [kg]	Packing [pcs]
Adapter for 60 mm busbar system, busbar thickness $5 \div 12 \text{ mm}$, busbar width $12 \div 32 \text{ mm}$, for 3-pole fuse switch-disconnector FH00-3./F, universal for cable outlet from the disconnecter at the top or at the bottom	OD-FH00-AL60	18630	1.379	1

Remote hinged cover position signalling for FH00-1... and FH00-3... with cable length 1 m, possibility of mounting up to 2 signalling in one fuse switch-disconnector.	OD-FH-SK	12929	0.038	1
---	-----------------	-------	-------	---

Assembly kit for assembling 2-pole or 4-pole device	OD-FH00-SS24	18631	0.007	1
--	---------------------	-------	-------	---

FUSE SWITCH-DISCONNECTORS VARIUS FOR FUSE-LINKS WITH BLADE CONTACTS SIZE 00 AND 000

Accessories

Description	Type	Product code	Weight [kg]	Packing [pcs]
Additional cover of connecting area , identical for both top and bottom areas, for 1-pole fuse switch-disconnector FH00-1./F, it is possible to connect more covers in series	OD-FH00-KP1	18632	0.013	1

Additional cover of connecting area , identical for both top and bottom areas, for 3-pole fuse switch-disconnector FH00-3./F, it is possible to connect more covers in series	OD-FH00-KP3	18633	0.629	1
--	--------------------	-------	-------	---

Barrier against accidental contact for FH00-3...	OD-FH00-Z3	18634	0.016	1
---	-------------------	-------	-------	---

Front shield for FH00-3...	OD-FH00-KR	18635	0.026	1
-----------------------------------	-------------------	-------	-------	---

FUSE SWITCH-DISCONNECTORS **VARIUS** FOR FUSE-LINKS WITH BLADE CONTACTS SIZE 00 AND 000

Parameters

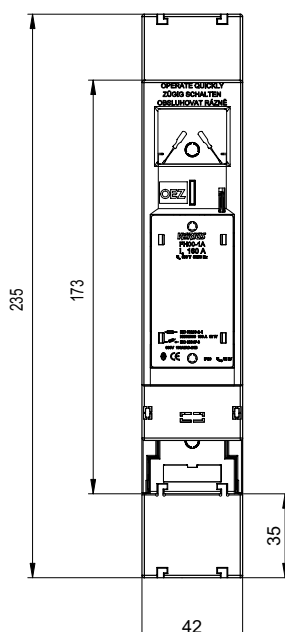
Type	FH00	
Rated operating voltage	U_e	690 V
Rated operating current	I_e	160 A
Utilization category	400 V a.c.	AC-23B
	500 V a.c.	AC-22B
	690 V a.c.	AC-21B
Thermal current with fuse-link	I_{th}	160 A
	Thermal current with disconnecting knife ZP000	I_{th}
Rated frequency	f	40 ÷ 60 Hz
Rated insulation voltage	U_i	1000 V a.c.
Conditional short-circuit current (RMS)	I_{cc}	400 V a.c. 120 kA
Impulse withstand voltage	U_{imp}	12 kV for FH00-A/F
Fuse-link size		000, 00
Max. power losses of the fuse-link	P_v	12 W
Power losses at I_e without fuse-link	P_v	7 W
Electrical durability	operating cycles	300 at 100 A
		200 at 160 A
Mechanical durability	operating cycles	2000
Degree of protection from front side, built-in device, cover closed (measuring holes filled)		IP 20
Degree of protection from front side, built-in device, cover opened		IP 20
Permissible ambient temperature		-25 ÷ +55 °C
Altitude above sea level		max. 2000 m
Pollution degree		3
Overvoltage category for 690 V a.c.		IV
Seismic resistance		0.25 ÷ 50 Hz/3g
Standards		IEC 60 947-1, -3
		EN 60 947-1, -3

Approval marks

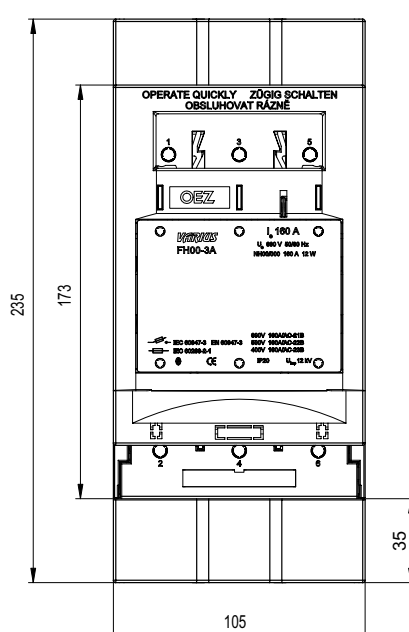


Dimensions

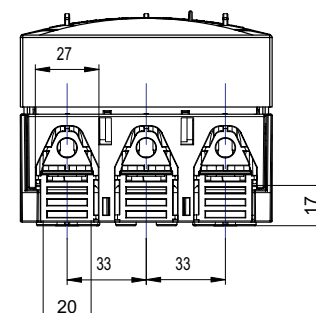
FH00-1A/F



FH00-3A/F



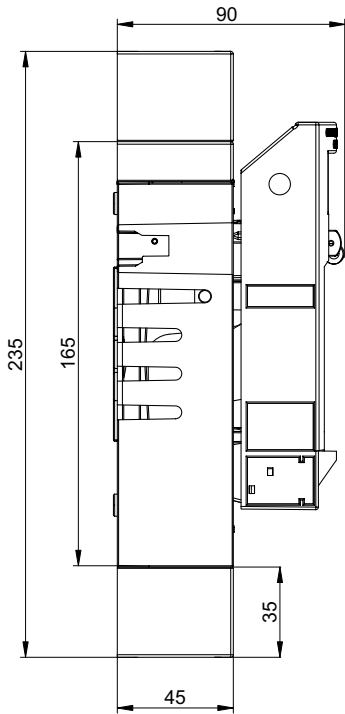
FH00-3A/F



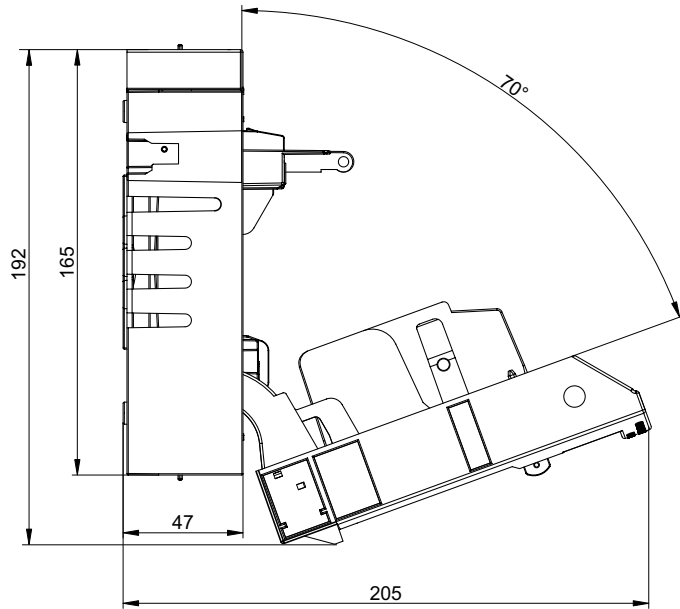
FUSE SWITCH-DISCONNECTORS *VARIUS* FOR FUSE-LINKS WITH BLADE CONTACTS SIZE 00 AND 000

Dimensions

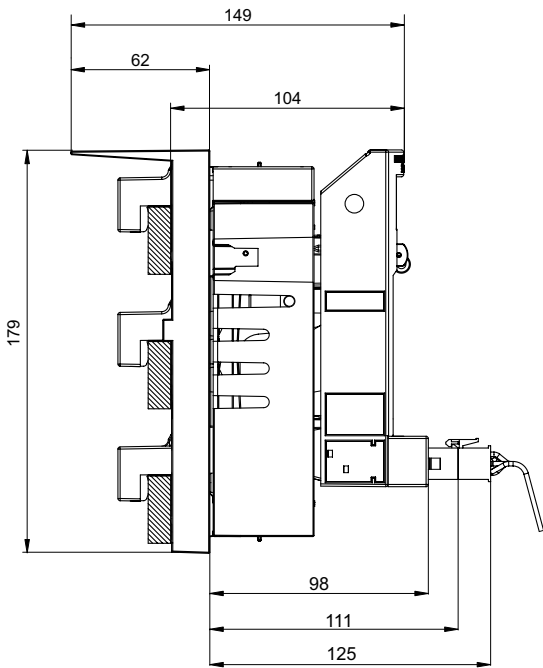
FH00-1A/F and FH00-3A/F



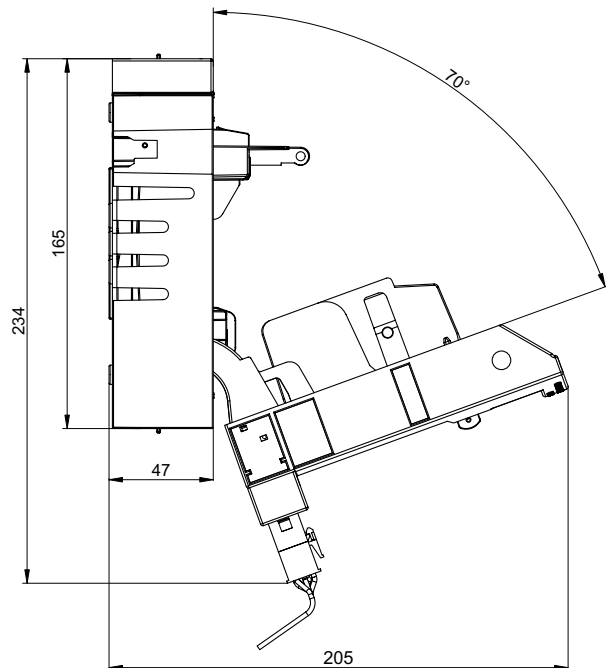
FH00-1A/F and FH00-3A/F



FH00-1S/F and FH00-3S/F



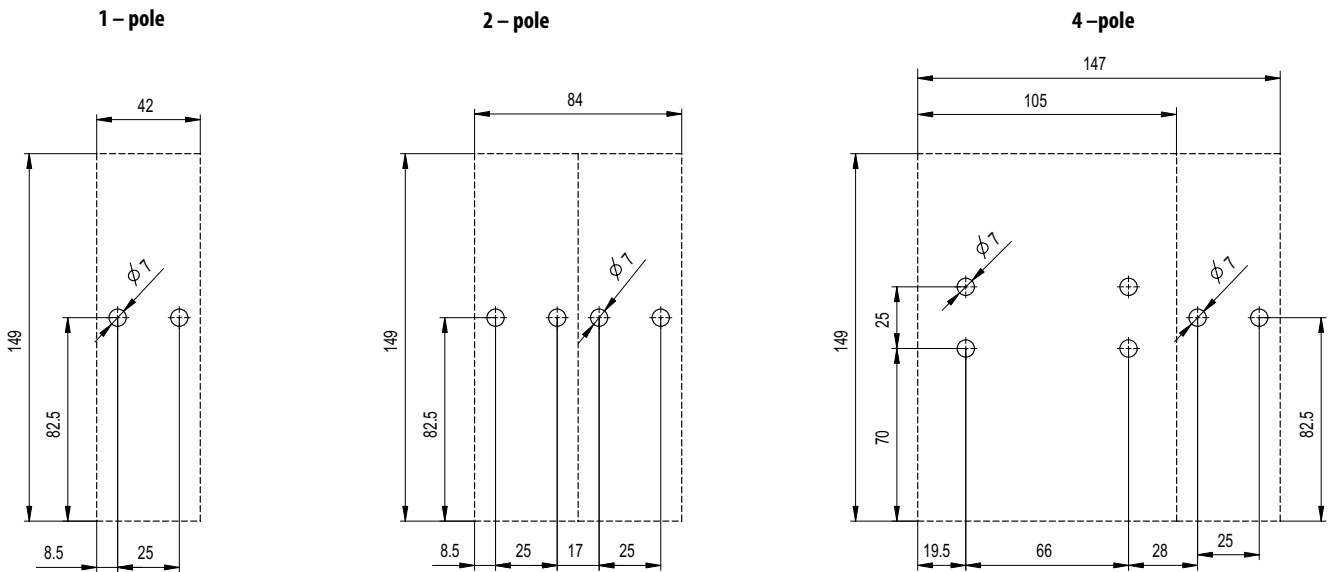
FH00-1S/F and FH00-3S/F



FUSE SWITCH-DISCONNECTORS **VARIUS** FOR FUSE-LINKS WITH BLADE CONTACTS SIZE 00 AND 000

Dimensions

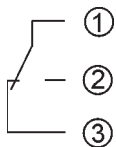
Clearance and drilling plans



Diagram

Remote signalling of fuse condition in 1-pole fuse switch-disconnector

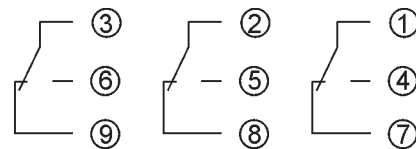
State of contacts with not operated fuse-link:
contacts 1 – 3 connected



5 A/250 V a.c.
0.2 A/250 V d.c.

Remote signalling of fuse condition in 3-pole fuse switch-disconnector

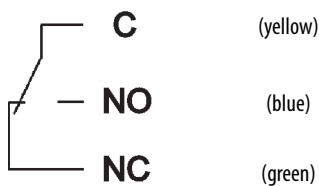
State of contacts with not operated fuse-link:
contacts 1 – 7, 2 – 8, 3 – 9 connected



5 A/250 V a.c.
0.2 A/250 V d.c.

Remote signalling of hinged cover position in 1-pole and 3-pole fuse switch-disconnector

State of contacts with closed cover:
contacts C – NO connected



5 A/250 V a.c.
0.2 A/250 V d.c.

FUSE SWITCH-DISCONNECTORS *VARIUS* FOR FUSE-LINKS WITH BLADE CONTACTS SIZE 1


Fuse switch-disconnector FH1 is intended for fuse-links with blade contacts size 1. It enables safe disconnection of rated currents and overcurrents according to the utilization category and operating voltage. Version with fuse monitoring

toring allows remote fuse-link operation signalling in every pole independently using standard visual indication of the fuse-links with blade contacts.

- It is equipped with a label for description of the protected circuit.
- Measuring holes in the cover.
- Basic version with terminal screws M10.
- Variability of connection sets including rear connection.
- It is possible to lock the cover.

Mounting:

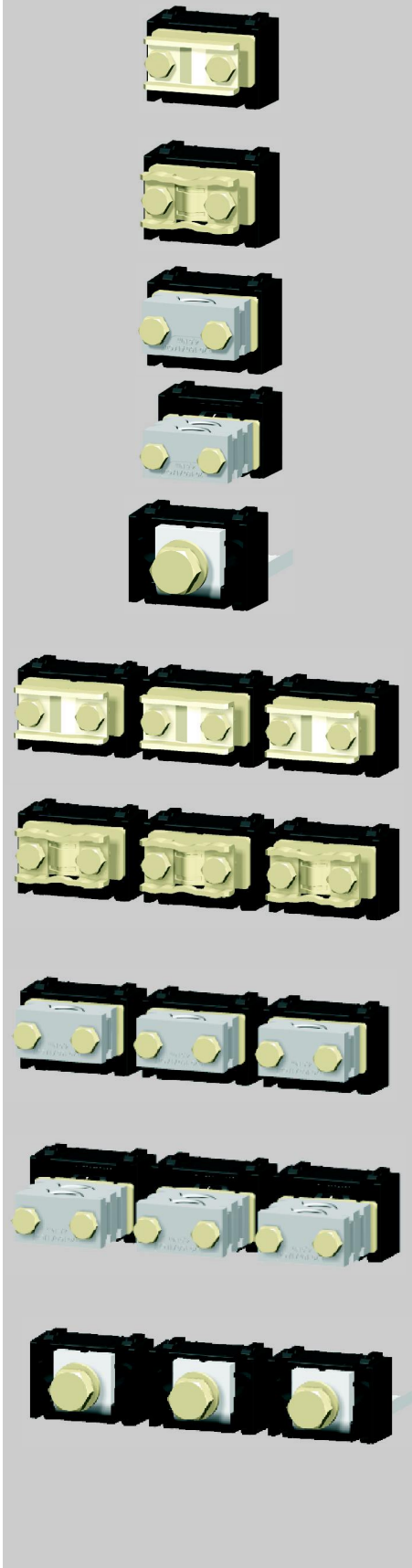
- Directly on the panel with screws.
- On 60 mm busbar system by adapter.

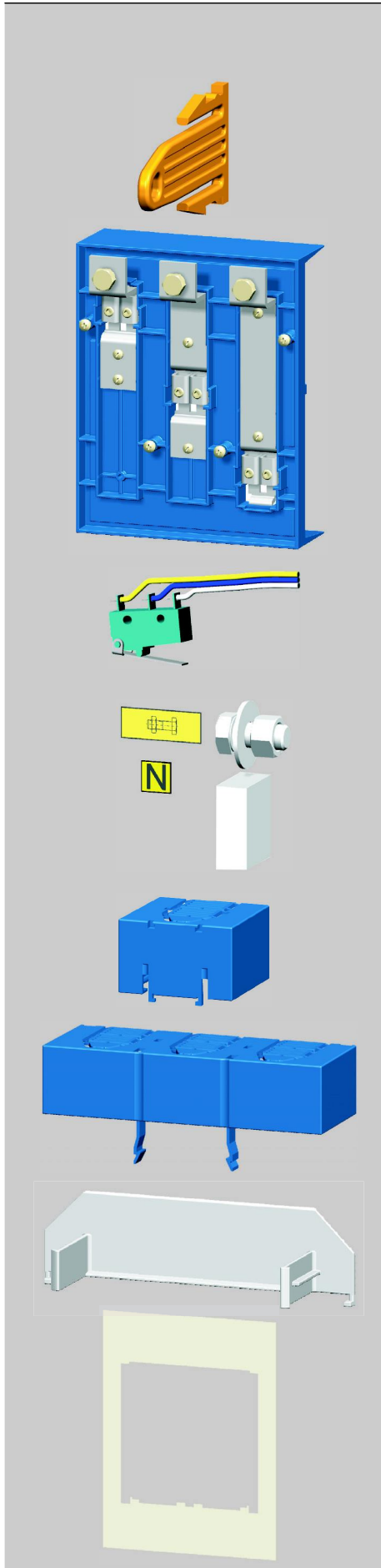
Fuse switch-disconnector up to 250A

Type	Product code	Design	Weight [kg]	Packing [pcs]
FH1-1A/F	14362	single-pole, version with terminal screws M10	1.100	1
FH1-1S/F	14363	single-pole, with fuse monitoring, connector with cable length 1 m, version with terminal screws M10, fuse switch-disconnector cover can be ordered as a spare part	1.112	1
FH1-3A/F	14364	three-pole, version with terminal screws M10	2.660	1
FH1-3S/F	14365	three-pole, with fuse monitoring, connector with cable length 1 m, version with terminal screws M10, fuse switch-disconnector cover can be ordered as a spare part	2.675	1
FH1-3SB/F	14367	three-pole, with fuse monitoring, connector without cable, version allows arbitrary connection according to the user needs, version with terminal screws M10	2.670	1

FUSE SWITCH-DISCONNECTORS VARIUS FOR FUSE-LINKS WITH BLADE CONTACTS SIZE 1
Connection sets

Description	Type	Product code	Weight [kg]	Packing [pcs]
Clip terminal for 1-pole fuse switch-disconnector FH1-1./F, connection of Cu conductors of cross-section $6 \div 16 \text{ mm}^2$, torque 4.5 Nm	CS-FH12-1SM	15814	0.066	1
Clip terminal for 1-pole fuse switch-disconnector FH1-1./F, connection of Cu conductors of cross-section $25 \div 150 \text{ mm}^2$, torque 4.5 Nm	CS-FH12-1S	15591	0.073	1
Prismatic clamp for 1-pole fuse switch-disconnector FH1-1./F, connection of Cu/Al conductors of cross-section $70 \div 150 \text{ mm}^2$, torque 4.5 Nm	CS-FH12-1P1	15592	0.133	1
Double prismatic clamp for 1-pole fuse switch-disconnector FH1-1./F, connection of Cu/Al conductors of cross-section $2 \times 70 \div 95 \text{ mm}^2$, torque 4.5 Nm	CS-FH12-1P2	15593	0.193	1
Terminal for rear connection for 1-pole fuse switch-disconnector FH1-1./F, torque 20 Nm	CS-FH123-1Z	15594	0.173	1
Clip terminals - set of 3 pcs for 3-pole fuse switch-disconnector FH1-3./F, connection of Cu conductors of cross-section $6 \div 16 \text{ mm}^2$, torque 4.5 Nm	CS-FH12-3SM	15815	0.200	1
Clip terminals - set of 3 pcs for 3-pole fuse switch-disconnector FH1-3./F, connection of Cu conductors of cross-section $25 \div 150 \text{ mm}^2$, torque 4.5 Nm	CS-FH12-3S	18226	0.220	1
Prismatic clamps - set of 3 pcs for 3-pole fuse switch-disconnector FH1-3./F, connection of Cu/Al conductors of cross-section $70 \div 150 \text{ mm}^2$, torque 4.5 Nm	CS-FH12-3P1	18227	0.400	1
Double prismatic clamps - set of 3 pcs for 3-pole fuse switch-disconnector FH1-3./F, connection of Cu/Al conductors of cross-section $2 \times 70 \div 95 \text{ mm}^2$, torque 4.5 Nm	CS-FH12-3P2	18228	0.580	1
Terminals for rear connection - set of 3 pcs for 3-pole fuse switch-disconnector FH1-3./F, torque 20 Nm	CS-FH123-3Z	18229	0.520	1



FUSE SWITCH-DISCONNECTORS VARIUS FOR FUSE-LINKS WITH BLADE CONTACTS SIZE 1

Accessories

Description	Type	Product code	Weight [kg]	Packing [pcs]
Locking insert to lock the fuse switch-disconnector cover, max. diameter of the padlock suspension loop is 4.5 mm, the padlock is not included in the delivery, for FH1-1... a FH1-3...	OD-FH123-VU	18230	0.006	1

Adapter for 60 mm busbar system, busbar thickness 5 ÷ 12 mm, busbar width 12 ÷ 32 mm, for 3-pole fuse switch-disconnector FH1-3./F, universal for cable outlet from the disconnecter at the top or at the bottom	OD-FH1-AL60	17270	1.100	1
---	--------------------	-------	-------	---

Remote hinged cover position signalling for FH1-1... and FH1-3... with cable length 1 m, possibility of mounting up to 2 signalling in one fuse switch-disconnector.	OD-FH-SK	12929	0.038	1
---	-----------------	-------	-------	---

Assembly kit for assembling 2-pole or 4-pole device	OD-FH123-SS24	17266	0.060	1
--	----------------------	-------	-------	---

Additional cover of connecting area , identical for both top and bottom areas, for 1-pole fuse switch-disconnector FH1-1./F, it is possible to connect more covers in series	OD-FH1-KP1	17269	0.038	1
---	-------------------	-------	-------	---

Additional cover of connecting area , identical for both top and bottom areas, for 3-pole fuse switch-disconnector FH1-3./F, it is possible to connect more covers in series	OD-FH1-KP3	17268	0.100	1
---	-------------------	-------	-------	---

Barrier against accidental contact for FH1-3...	OD-FH1-Z3	17271	0.045	1
--	------------------	-------	-------	---

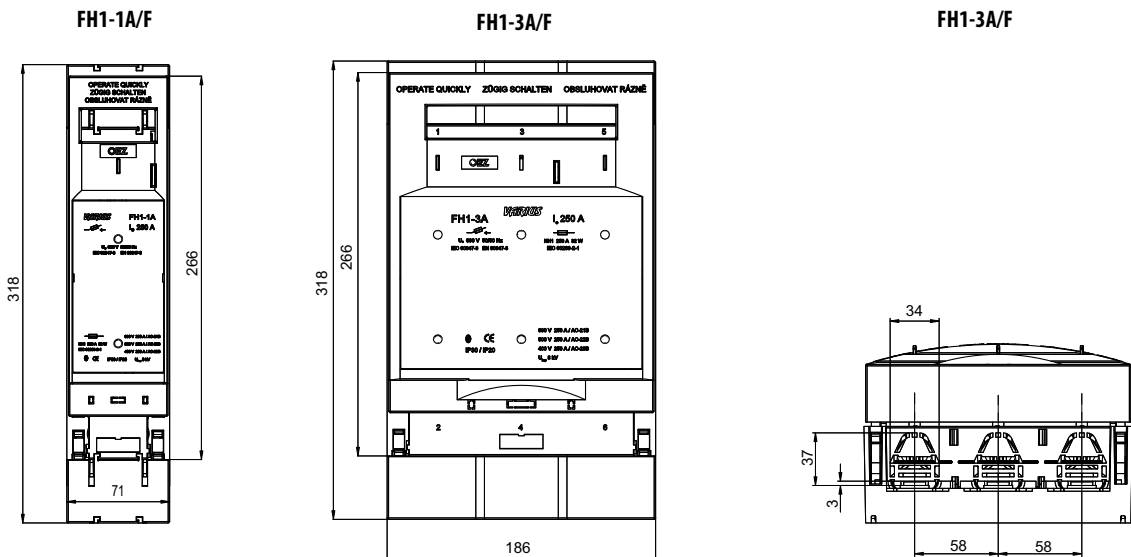
Front shield for FH1-3...	OD-FH1-KR	17267	0.036	1
----------------------------------	------------------	-------	-------	---

FUSE SWITCH-DISCONNECTORS **VARIUS** FOR FUSE-LINKS WITH BLADE CONTACTS SIZE 1

Parameters

Type	FH1	
Rated voltage	U_n	690 V a.c. 250 V d.c.
Rated current	I_n	250 A
		AC23B at 400 V a.c. AC22B at 500 V a.c. AC21B at 690 V a.c. AC22B at 690 V a.c./200 A DC21B at 250 V d.c.
Utilization category		
Thermal current with fuse-link	I_{th}	250 A
Thermal current with disconnecting knife ZP1	I_{th}	325 A
Rated frequency	f	40 ÷ 60 Hz
Rated insulation voltage	U_i	1000 V a.c.
Conditional short-circuit current (RMS)	I_{kn}	120 kA for 400 V a.c./250 A 50 kA for 500 V a.c./250 A min. 25 kA for 690 V a.c./250 A
		12 kV for FH1-A/F
Impulse withstand voltage	U_{imp}	
Fuse-link size		1
Max. power losses of the fuse-link	P_v	23 W
Power losses at I_n without fuse-link	P_v	9 W
Electrical durability	operating cycles	200 at 250 A
Mechanical durability	operating cycles	1400
Degree of protection from front side, built-in device, cover closed (measuring holes filled)		IP 30
Degree of protection from front side, built-in device, cover opened		IP 20
Permissible ambient temperature		-25 ÷ +55 °C
Altitude above sea level		max. 2000 m
Pollution degree		3
Overvoltage category for 690 V a.c.		IV
Seismic resistance		0.25 ÷ 50 Hz/3g
Standards		IEC 60 947-1, -3
		EN 60 947-1, -3
Approval marks		

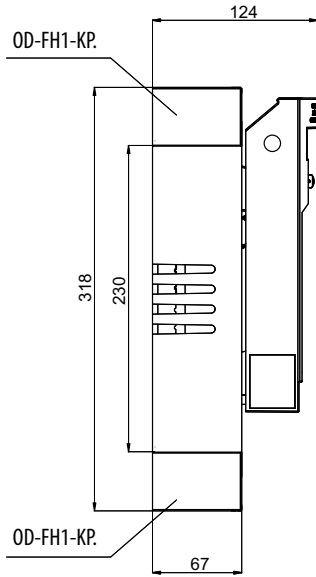
Dimensions



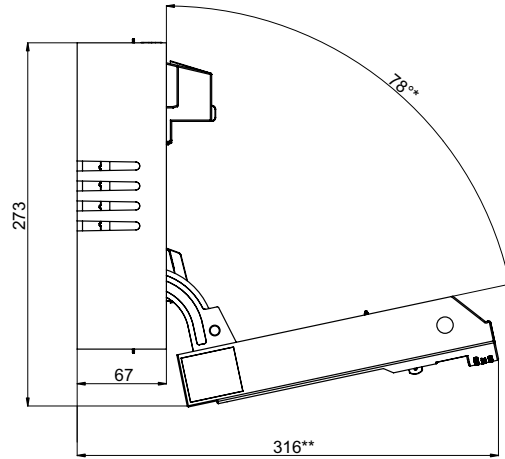
FUSE SWITCH-DISCONNECTORS **VARIUS** FOR FUSE-LINKS WITH BLADE CONTACTS SIZE 1

Dimensions

FH1-1A/F and FH1-3A/F

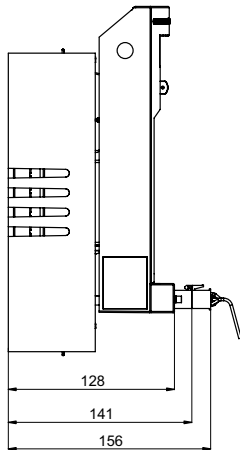


FH1-1A/F and FH1-3A/F

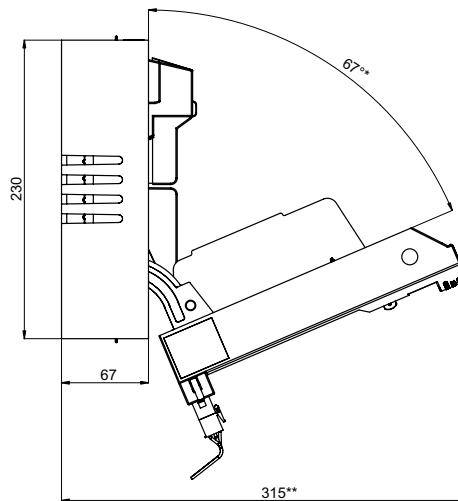


* for FH1-3A/F= 67°
 ** for FH1-3A/F= 315

FH1-1S/F and FH1-3S/F



FH1-1S/F and FH1-3S/F

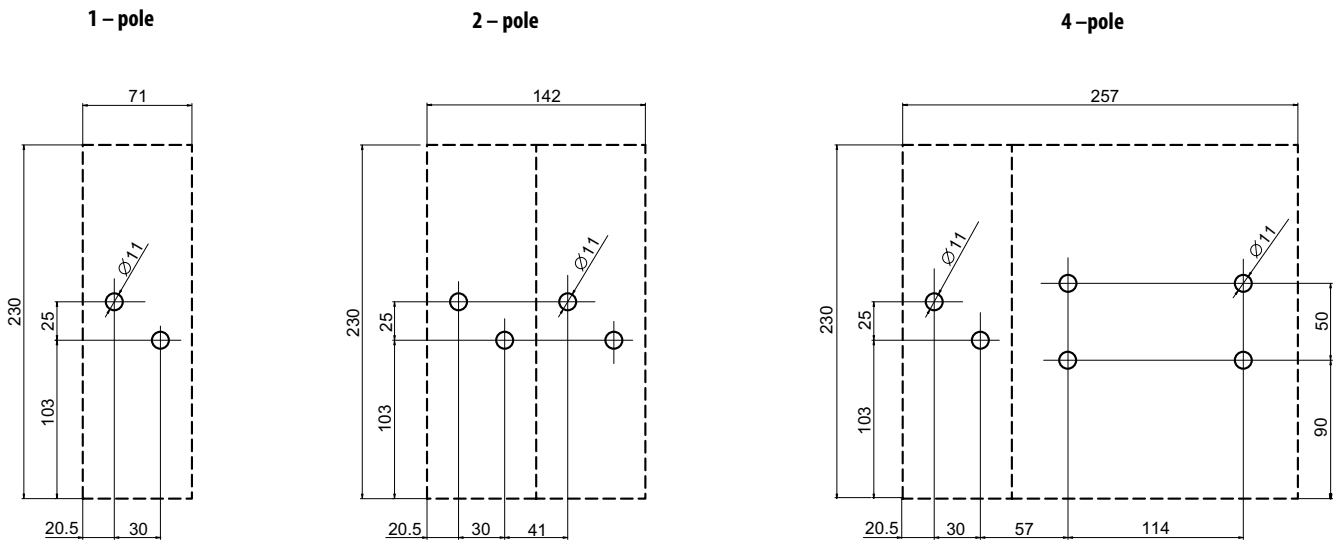


* for FH1-1S/F= 78°
 ** for FH1-1S/F= 316

FUSE SWITCH-DISCONNECTORS **VARIUS** FOR FUSE-LINKS WITH BLADE CONTACTS SIZE 1

Dimensions

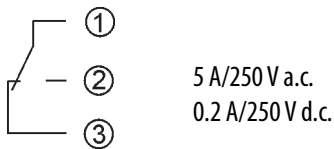
Clearance and drilling plans



Diagram

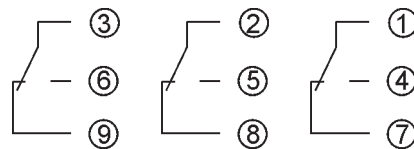
Remote signalling of fuse condition in 1-pole fuse switch-disconnector

State of contacts with not operated fuse-link:
contacts 1 – 3 connected



Remote signalling of fuse condition in 3-pole fuse switch-disconnector

State of contacts with not operated fuse-link:
contacts 1 – 3, 2 – 8, 3 - 9 connected



Remote signalling of hinged cover position in 1-pole and 3-pole fuse switch-disconnector

State of contacts with closed cover:
contacts C – NO connected



FUSE SWITCH-DISCONNECTORS **VARIUS** FOR FUSE-LINKS WITH BLADE CONTACTS SIZE 2



Fuse switch-disconnector FH2 is intended for fuse-links with blade contacts size 2. It enables safe disconnection of rated currents and overcurrents according to the utilization category and operating voltage. Version with fuse monitoring allows remote fuse-link operation signalling in every pole independently using standard visual indication of the fuse-links with blade contacts.

- It is equipped with a label for description of the protected circuit.
- Measuring holes in the cover.
- Basic version with terminal screws M10.
- Variability of connection sets including rear connection.
- It is possible to lock the cover.

Mounting:

- Directly on the panel with screws.
- On 60 mm busbar system by adapter.

Fuse switch-disconnector up to 400A

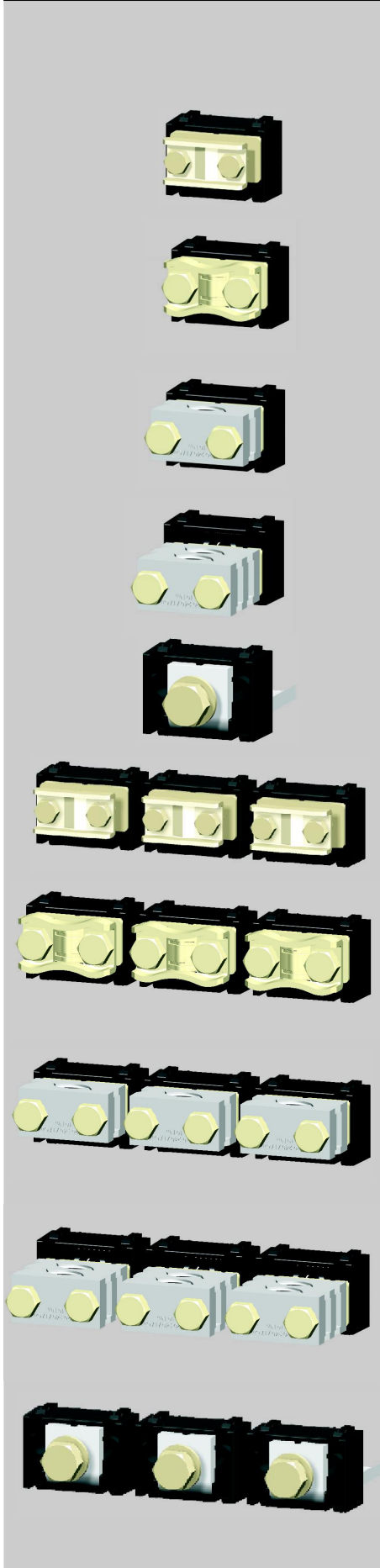
Type	Product code	Design	Weight [kg]	Packing [pcs]
FH2-1A/F	14369	single-pole, version with terminal screws M10	1.280	1

FH2-1S/F	14371	single-pole, with fuse monitoring, connector with cable length 1 m, version with terminal screws M10, fuse switch-disconnector cover can be ordered as a spare part	1.292	1
----------	-------	---	-------	---

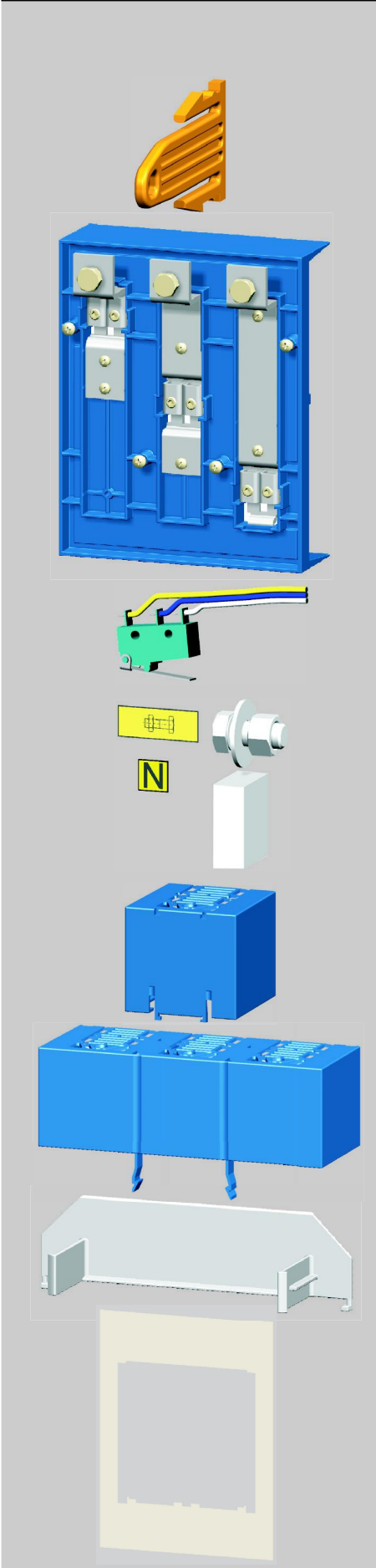
FH2-3A/F	14368	three-pole, version with terminal screws M10	2.980	1
----------	-------	--	-------	---

FH2-3S/F	14370	three-pole, with fuse monitoring, connector with cable length 1 m, version with terminal screws M10, fuse switch-disconnector cover can be ordered as a spare part	2.995	1
----------	-------	--	-------	---

FH2-3SB/F	14372	three-pole, with fuse monitoring, connector without cable, version allows arbitrary connection according to the user needs, version with terminal screws M10	2.990	1
-----------	-------	--	-------	---

FUSE SWITCH-DISCONNECTORS VARIUS FOR FUSE-LINKS WITH BLADE CONTACTS SIZE 2

Connection sets

Description	Type	Product code	Weight [kg]	Packing [pcs]
Clip terminal for 1-pole fuse switch-disconnector FH1-1./F and FH2-1./F, connection of Cu conductors of cross-section $6 \div 16 \text{ mm}^2$, torque 4.5 Nm	CS-FH12-1SM	15814	0.066	1
Clip terminal for 1-pole fuse switch-disconnector FH2-1./F, connection of Cu conductors of cross-section $25 \div 240 \text{ mm}^2$, torque 10 Nm	CS-FH2-1S	15595	0.080	1
Clip terminal for 1-pole fuse switch-disconnector FH1-1./F and FH2-1./F, connection of Cu conductors of cross-section $25 \div 150 \text{ mm}^2$, torque 4.5 Nm	CS-FH12-1S	15591	0.073	1
Prismatic clamp for 1-pole fuse switch-disconnector FH2-1./F, connection of Cu/Al conductors of cross-section $120 \div 240 \text{ mm}^2$, torque 10 Nm	CS-FH2-1P1	15596	0.140	1
Prismatic clamp for 1-pole fuse switch-disconnector FH1-1./F and FH2-1./F, connection of Cu/Al conductors of cross-section $70 \div 150 \text{ mm}^2$, torque 4.5 Nm	CS-FH12-1P1	15592	0.133	1
Double prismatic clamp for 1-pole fuse switch-disconnector FH2-1./F, connection of Cu/Al conductors of cross-section $2 \times 120 \div 150 \text{ mm}^2$, torque 10 Nm	CS-FH2-1P2	15597	0.200	1
Double prismatic clamp for 1-pole fuse switch-disconnector FH1-1./F and FH2-1./F, connection of Cu/Al conductors of cross-section $2 \times 70 \div 95 \text{ mm}^2$, torque 4.5 Nm	CS-FH12-1P2	15593	0.193	1
Terminal for rear connection for 1-pole fuse switch-disconnector FH2-1./F, torque 20 Nm	CS-FH123-1Z	15594	0.173	1
Clip terminals - set of 3 pcs for 3-pole fuse switch-disconnector FH1-3./F and FH2-3./F, connection of Cu conductors of cross-section $6 \div 16 \text{ mm}^2$, torque 4.5 Nm	CS-FH12-3SM	15815	0.200	1
Clip terminals - set of 3 pcs for 3-pole fuse switch-disconnector FH2-3./F, connection of Cu conductors of cross-section $25 \div 240 \text{ mm}^2$, torque 10 Nm	CS-FH2-3S	15811	0.240	1
Clip terminals - set of 3 pcs for 3-pole fuse switch-disconnector FH1-3./F and FH2-3./F, connection of Cu conductors of cross-section $25 \div 150 \text{ mm}^2$, torque 4.5 Nm	CS-FH12-3S	18226	0.220	1
Prismatic clamps - set of 3 pcs for 3-pole fuse switch-disconnector FH2-3./F, connection of Cu/Al conductors of cross-section $120 \div 240 \text{ mm}^2$, torque 10 Nm	CS-FH2-3P1	15812	0.420	1
Prismatic clamps - set of 3 pcs for 3-pole fuse switch-disconnector FH1-3./F and FH2-3./F, connection of Cu/Al conductors of cross-section $70 \div 150 \text{ mm}^2$, torque 4.5 Nm	CS-FH12-3P1	18227	0.400	1
Double prismatic clamps - set of 3 pcs for 3-pole fuse switch-disconnector FH2-3./F, connection of Cu/Al conductors of cross-section $2 \times 120 \div 150 \text{ mm}^2$, torque 10 Nm	CS-FH2-3P2	15813	0.600	1
Double prismatic clamps - set of 3 pcs for 3-pole fuse switch-disconnector FH1-3./F and FH2-3./F, connection of Cu/Al conductors of cross-section $2 \times 70 \div 95 \text{ mm}^2$, torque 4.5 Nm	CS-FH12-3P2	18228	0.580	1
Terminals for rear connection - set of 3 pcs for 3-pole fuse switch-disconnector FH2-3./F, torque 20 Nm	CS-FH123-3Z	18229	0.520	1

FUSE SWITCH-DISCONNECTORS *VARIUS* FOR FUSE-LINKS WITH BLADE CONTACTS SIZE 2

Accessories

Description	Type	Product code	Weight [kg]	Packing [pcs]
Locking insert to lock the fuse switch-disconnector cover, max. diameter of the padlock suspension loop is 4.5 mm, the padlock is not included in the delivery, for FH2-1... and FH2-3...	OD-FH123-VU	18230	0.006	1

Adapter for 60 mm busbar system, busbar thickness 5 ÷ 12 mm, busbar width 12 ÷ 32 mm, for 3-pole fuse switch-disconnector FH2-3./F, universal for cable outlet from the disconnecter at the top or at the bottom	OD-FH2-AL60	14382	1.350	1
---	--------------------	-------	-------	---

Remote hinged cover position signalling for FH2-1... and FH2-3..., with cable length 1 m, possibility of mounting up to 2 signalling in one fuse switch-disconnector.	OD-FH-SK	12929	0.038	1
--	-----------------	-------	-------	---

Assembly kit for assembling 2-pole or 4-pole device	OD-FH123-SS24	17266	0.060	1
--	----------------------	-------	-------	---

Additional cover of connecting area , identical for both top and bottom areas, for 1-pole fuse switch-disconnector FH2-1./F, it is possible to connect more covers in series	OD-FH2-KP1	14381	0.052	1
---	-------------------	-------	-------	---

Additional cover of connecting area , identical for both top and bottom areas, for 3-pole fuse switch-disconnector FH2-3./F, it is possible to connect more covers in series	OD-FH2-KP3	14380	0.158	1
---	-------------------	-------	-------	---

Barrier against accidental contact for FH2-3...	OD-FH2-Z3	14383	0.045	1
--	------------------	-------	-------	---

Front shield for FH2-3...	OD-FH2-KR	14379	0.036	1
----------------------------------	------------------	-------	-------	---

FUSE SWITCH-DISCONNECTORS **VARIUS** FOR FUSE-LINKS WITH BLADE CONTACTS SIZE 2

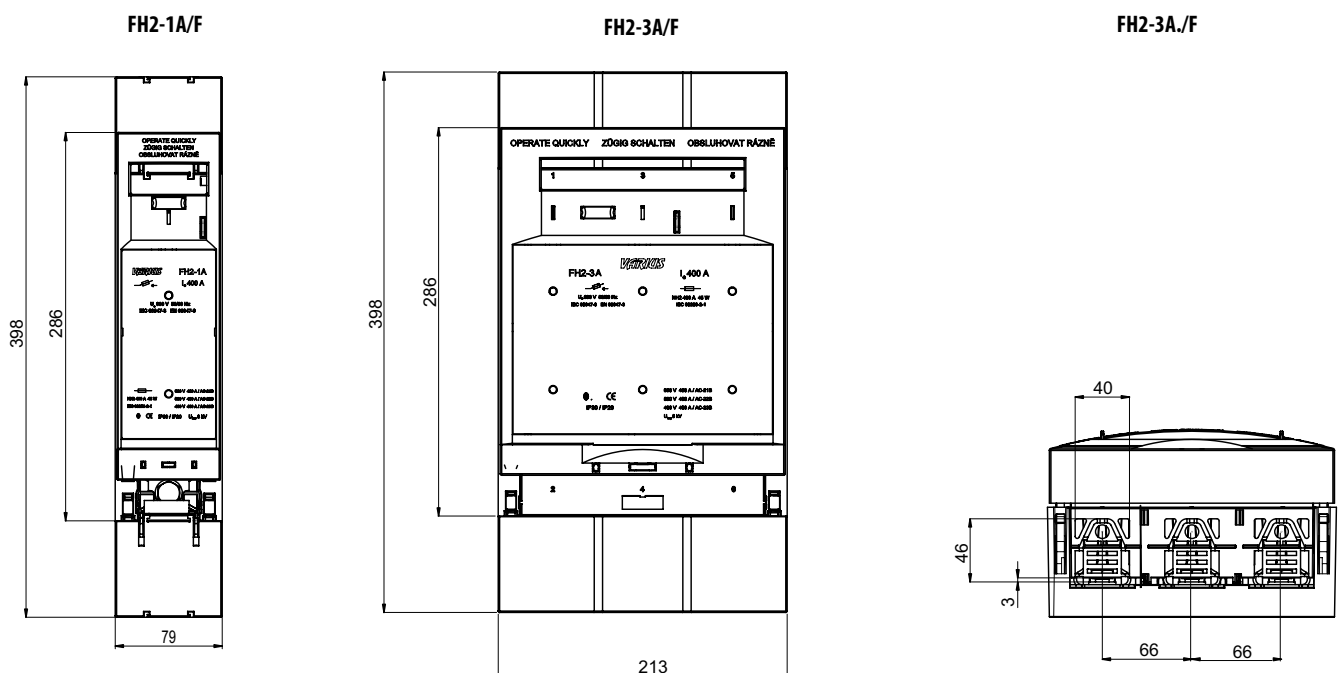
Parameters

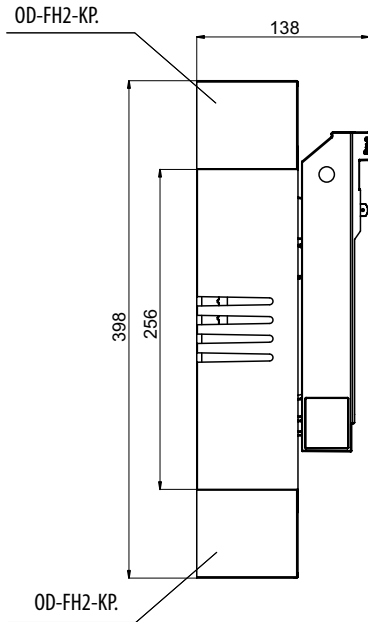
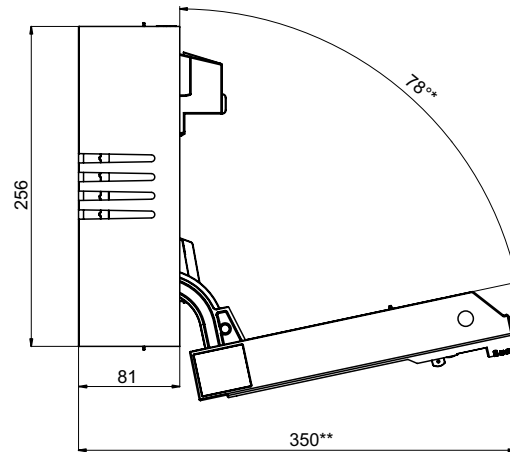
Type	FH2	
Rated voltage	U_n	690 V a.c. 250 V d.c.
Rated current	I_n	400 A
Utilization category		AC23B at 500 V a.c. for FH2-3...
		AC23B at 400 V a.c. for FH2-1..
		AC22B at 690 V a.c. DC21B at 250 V d.c.
Thermal current with fuse-link	I_{th}	400 A
Thermal current with disconnecting knife ZP2	I_{th}	520 A
Rated frequency	f	40 ÷ 60 Hz
Rated insulation voltage	U_i	1000 V a.c.
Conditional short-circuit current (RMS)		120 kA for 400 V a.c./250 A
		50 kA for 500 V a.c./250 A
		min. 25 kA for 690 V a.c./250 A
Impulse withstand voltage	U_{imp}	12 kV for FH2-./F
Fuse-link size		2
Max. power losses of the fuse-link	P_v	34 W
Power losses at I_n without fuse-link	P_v	23 W
Electrical durability	operating cycles	200 at 400 A
Mechanical durability	operating cycles	800
Degree of protection from front side, built-in device, cover closed (measuring holes filled)		IP 30
Degree of protection from front side, built-in device, cover opened		IP 20
Permissible ambient temperature		-25 ÷ +55 °C
Altitude above sea level		max. 2000 m
Pollution degree		3
Overvoltage category for 690 V a.c.		IV
Seismic resistance		0.25 ÷ 50 Hz/3g
Standards		IEC 60 947-1, -3
		EN 60 947-1, -3

Approval marks

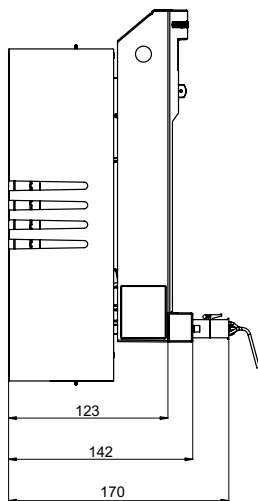
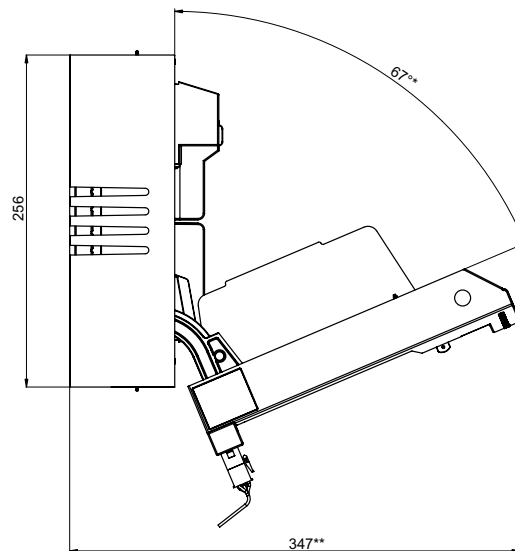


Dimensions



FUSE SWITCH-DISCONNECTORS *VARIUS* FOR FUSE-LINKS WITH BLADE CONTACTS SIZE 2
Dimensions
FH2-1A/F and FH2-3A/F

FH2-1A/F and FH2-3A/F


* for FH2-3A/F= 67°
 ** for FH2-3A/F= 347

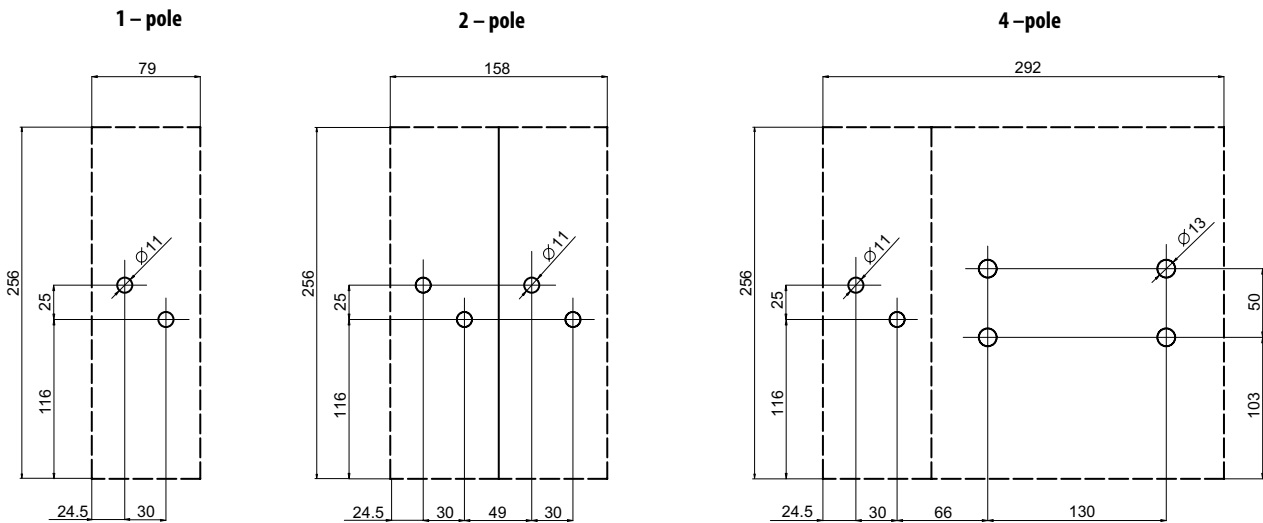
FH2-1S/F and FH2-3S/F

FH2-1S/F and FH2-3S/F


* for FH2-1S/F= 78°
 ** for FH2-1S/F= 350

FUSE SWITCH-DISCONNECTORS **VARIUS** FOR FUSE-LINKS WITH BLADE CONTACTS SIZE 2

Dimensions

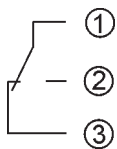
Clearance and drilling plans



Diagram

Remote signalling of fuse condition in 1-pole fuse switch-disconnector

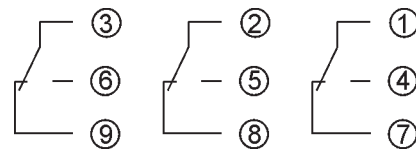
State of contacts with not operated fuse-link:
contacts 1 – 3 connected



5 A / 250 V a.c.
0.2 A / 250 V d.c.

Remote signalling of fuse condition in 3-pole fuse switch-disconnector

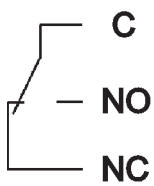
State of contacts with not operated fuse-link:
contacts 1 – 3, 2 – 8, 3 - 9 connected



5 A / 250 V a.c.
0.2 A / 250 V d.c.

Remote signalling of hinged cover position in 1-pole and 3-pole fuse switch-disconnector

State of contacts with closed cover:
contacts C – NO connected



(yellow)

(blue)

(green)

5 A / 250 V a.c.
0.2 A / 250 V d.c.

FUSE SWITCH-DISCONNECTORS **VARIUS** FOR FUSE-LINKS WITH BLADE CONTACTS SIZE 3



Fuse switch-disconnector FH3 is intended for fuse-links with blade contacts size 3. It enables safe disconnection of rated currents and overcurrents according to the utilization category and operating voltage. Version with fuse monitoring

allows remote fuse-link operation signalling in every pole independently using standard visual indication of the fuse-links with blade contacts.

- It is equipped with a label for description of the protected circuit.
- Measuring holes in the cover.
- Basic version with terminal screws M12.
- Variability of connection sets including rear connection.
- It is possible to lock the cover.

Mounting:

- Directly on the panel with screws.

Fuse switch-disconnector up to 630A

Type	Product code	Design	Weight [kg]	Packing [pcs]
FH3-1A/F	14374	single-pole, version with terminal screws M12	1.710	1

FH3-1S/F	14376	single-pole, with fuse monitoring, connector with cable length 1 m, version with terminal screws M12, fuse switch-disconnector cover can be ordered as a spare part	1.722	1
----------	-------	---	-------	---

FH3-3A/F	14373	three-pole, version with terminal screws M12	4.280	1
----------	-------	--	-------	---

FH3-3S/F	14375	three-pole, with fuse monitoring, connector with cable length 1 m, version with terminal screws M12, fuse switch-disconnector cover can be ordered as a spare part	4.295	1
----------	-------	--	-------	---

FH3-3SB/F	14377	three-pole, with fuse monitoring, connector without cable, version with terminal screws M12, version allows arbitrary connection according to the user needs	4.290	1
-----------	-------	--	-------	---

FUSE SWITCH-DISCONNECTORS **VARIUS** FOR FUSE-LINKS WITH BLADE CONTACTS SIZE 3



Connection sets

Description	Type	Product code	Weight [kg]	Packing [pcs]
Prismatic clamp for 1-pole fuse switch-disconnector FH3-1./F, connection of Cu/Al conductors of cross-section $120 \div 300 \text{ mm}^2$, torque 10 Nm	CS-FH3-1P1	15800	0.145	1

Double prismatic clamp for 1-pole fuse switch-disconnector FH3-1./F, torque 10 Nm	CS-FH3-1P2	15801	0.205	1
--	-------------------	-------	-------	---

Terminal for rear connection for 1-pole fuse switch-disconnector FH3-1./F, cable lug connection for screw M10, torque 20 Nm	CS-FH123-1Z	15594	0.173	1
--	--------------------	-------	-------	---

Prismatic clamps - set of 3 pcs for 3-pole fuse switch-disconnector FH3-3./F, connection of Cu/Al conductors of cross-section $120 \div 300 \text{ mm}^2$, torque 10 Nm	CS-FH3-3P1	14384	0.435	1
---	-------------------	-------	-------	---

Double prismatic clamps - set of 3 pcs for 3-pole fuse switch-disconnector FH3-3./F, connection of Cu/Al conductors of cross-section $2 \times 120 \div 240 \text{ mm}^2$, torque 10 Nm	CS-FH3-3P2	14385	0.615	1
---	-------------------	-------	-------	---

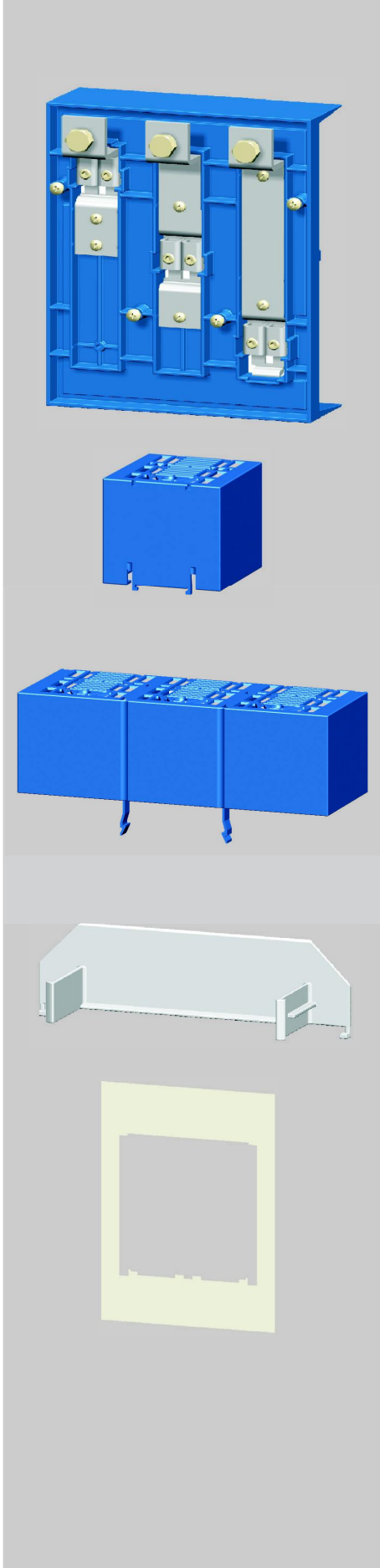
Terminals for rear connection - set of 3 pcs for 3-pole fuse switch-disconnector FH3-3./F, torque 20 Nm	CS-FH123-3Z	18229	0.520	1
--	--------------------	-------	-------	---

Accessories

Description	Type	Product code	Weight [kg]	Packing [pcs]
Locking insert to lock the fuse switch-disconnector cover for FH3-1... and FH3-3..., max. diameter of the padlock suspension loop is 4.5 mm, the padlock is not included in the delivery	OD-FH123-VU	18230	0.006	1

Remote hinged cover position signalling for FH3-1... and FH3-3..., with cable length 1 m, possibility of mounting up to 2 signalling in one fuse switch-disconnector.	OD-FH-SK	12929	0.038	1
--	-----------------	-------	-------	---

Assembly kit for assembling 2-pole or 4-pole device	OD-FH123-SS24	17266	0.060	1
--	----------------------	-------	-------	---

FUSE SWITCH-DISCONNECTORS *VARIUS* FOR FUSE-LINKS WITH BLADE CONTACTS SIZE 3

Accessories

Description	Type	Product code	Weight [kg]	Packing [pcs]
Adapter for 60 mm busbar system, busbar thickness $5 \div 12$ mm, busbar width $12 \div 32$ mm, for 3-pole fuse switch-disconnector FH3-3./F, universal for cable outlet from the disconnecter at the top or at the bottom	OD-FH3-AL60	19557	1.600	1

Additional cover of connecting area , identical for both top and bottom areas, for 1-pole fuse switch-disconnector FH3-1./F, it is possible to connect more covers in series	OD-FH3-KP1	14388	0.075	1
---	-------------------	-------	-------	---

Additional cover of connecting area , identical for both top and bottom areas, for 3-pole fuse switch-disconnector FH3-3./F, it is possible to connect more covers in series	OD-FH3-KP3	14387	0.210	1
---	-------------------	-------	-------	---

Barrier against accidental contact for FH3-3...	OD-FH3-Z3	14390	0.040	1
--	------------------	-------	-------	---

Front shield for FH3-3...	OD-FH3-KR	14386	0.036	1
----------------------------------	------------------	-------	-------	---

FUSE SWITCH-DISCONNECTORS **VARIUS** FOR FUSE-LINKS WITH BLADE CONTACTS SIZE 3

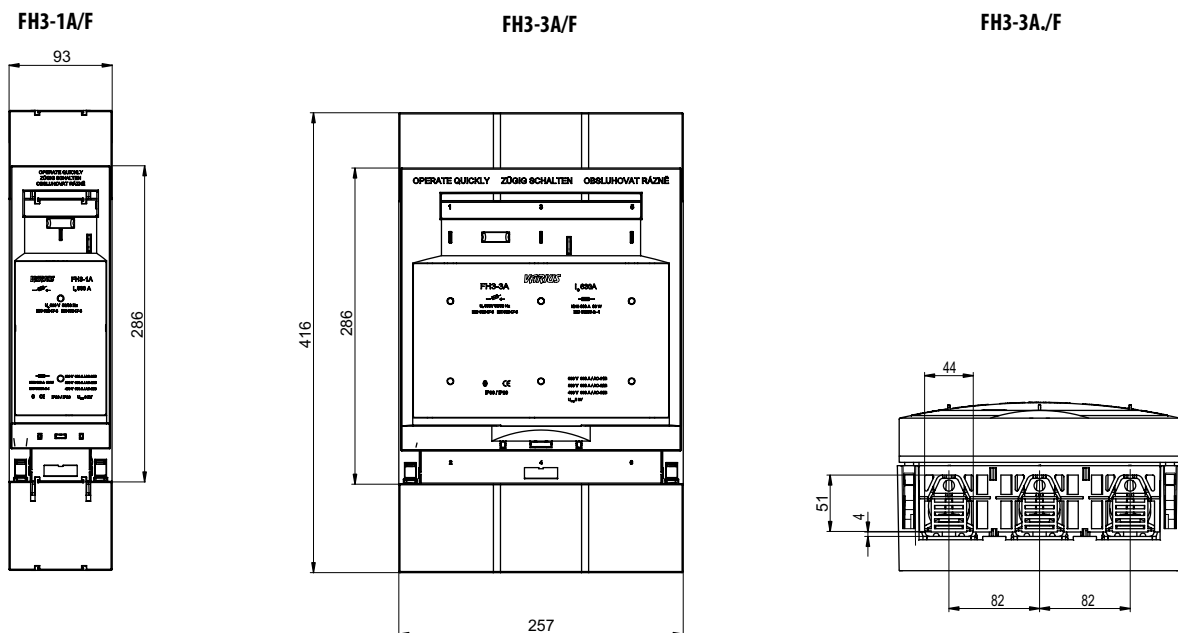
Parameters

Type	FH3	
Rated voltage	U_n	690 V a.c. 250 V d.c.
Rated current	I_n	630 A
Utilization category		AC23B at 500 V a.c. for FH3-3./F AC23B at 400 V a.c. for FH3-1./F AC22B at 690 V a.c. DC21B at 250 V d.c.
Thermal current with fuse-link	I_{th}	630 A
Thermal current with disconnecting knife ZP3	I_{th}	750 A
Rated frequency	f	40 ÷ 60 Hz
Rated insulation voltage	U_i	1000 V a.c.
Conditional short-circuit current (RMS)	I_{kn}	120 kA for 400 V a.c./630 A 50 kA for 500 V a.c./630 A min. 25 kA for 690 V a.c./630 A
Impulse withstand voltage	U_{imp}	12 kV for FH3-A/F
Fuse-link size		3
Max. power losses of the fuse-link	P_v	48 W
Power losses at I_n without fuse-link	P_v	49 W
Electrical durability	operating cycles	200 at 630 A
Mechanical durability	operating cycles	800
Degree of protection from front side, built-in device, cover closed (measuring holes filled)		IP 30
Degree of protection from front side, built-in device, cover opened		IP 20
Permissible ambient temperature		- 25 ÷ + 55 °C
Altitude above sea level		max. 2000 m
Pollution degree		3
Overvoltage category for 690 V a.c.		IV
Seismic resistance		0.25 ÷ 50 Hz/3g
Standards		IEC 60 947-1, -3 EN 60 947-1, -3

Approval marks



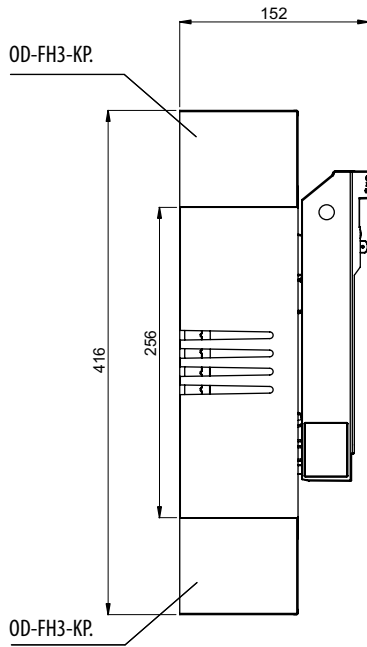
Dimensions



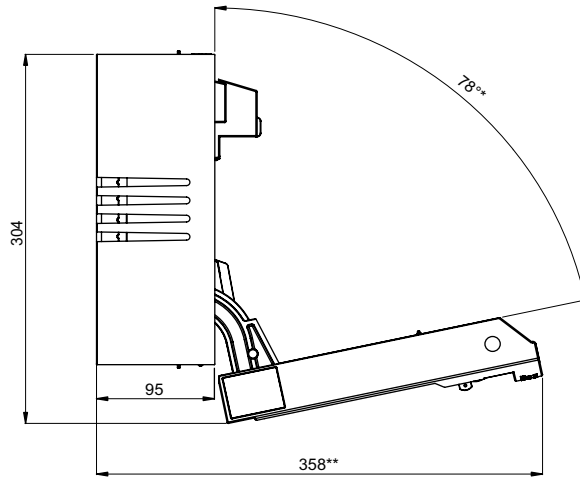
FUSE SWITCH-DISCONNECTORS **VARIUS** FOR FUSE-LINKS WITH BLADE CONTACTS SIZE 3

Dimensions

FH3-1A/F and FH3-3A/F

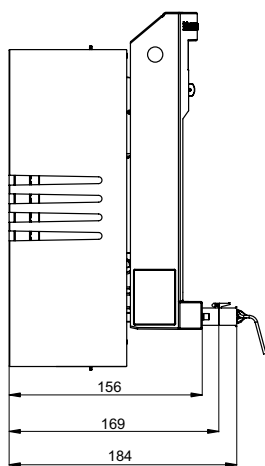


FH3-1A/F and FH3-3A/F

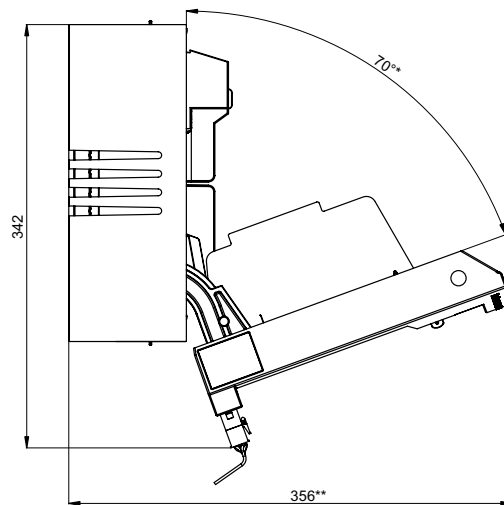


* for FH3-3A/F= 70°
** for FH3-3A/F= 356

FH3-1S/F and FH3-3S/F



FH3-1S/F and FH3-3S/F

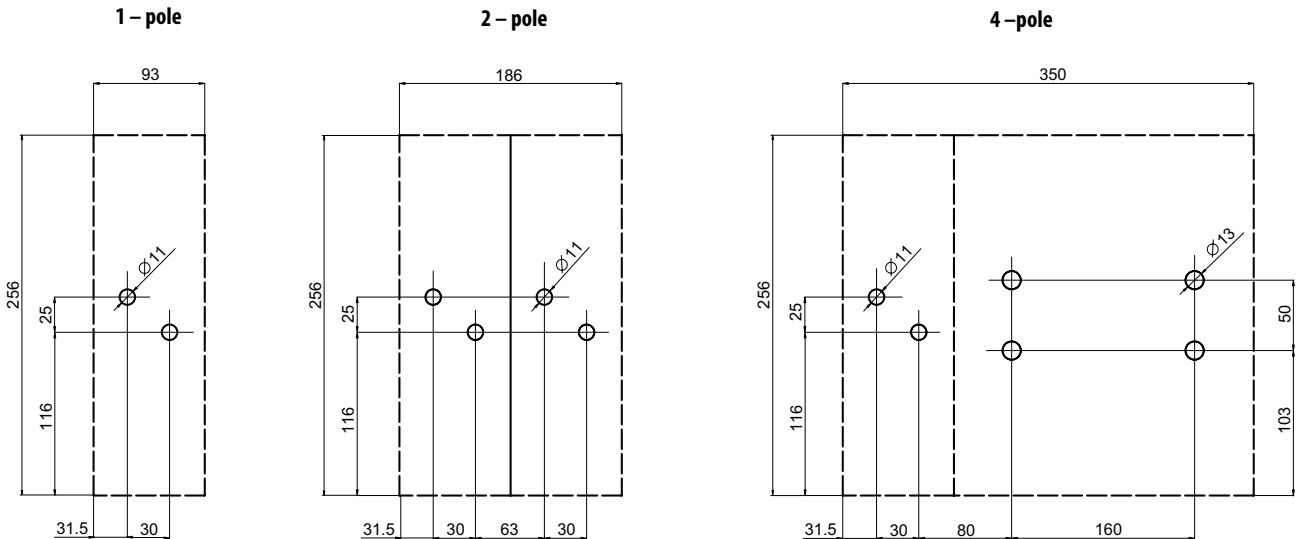


* for FH3-1S/F= 78°
** for FH3-1S/F= 358

FUSE SWITCH-DISCONNECTORS **VARIUS** FOR FUSE-LINKS WITH BLADE CONTACTS SIZE 3

Dimensions

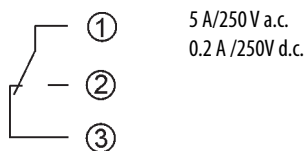
Clearance and drilling plans



Diagram

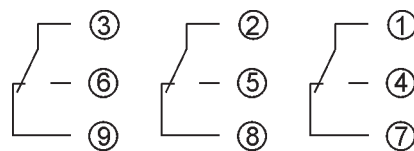
Remote signalling of fuse condition in 1-pole fuse switch-disconnector

State of contacts with not operated fuse-link:
contacts 1 – 3 connected



Remote signalling of fuse condition in 3-pole fuse switch-disconnector

State of contacts with not operated fuse-link:
contacts 1 – 7, 2 – 8, 3 – 9 connected



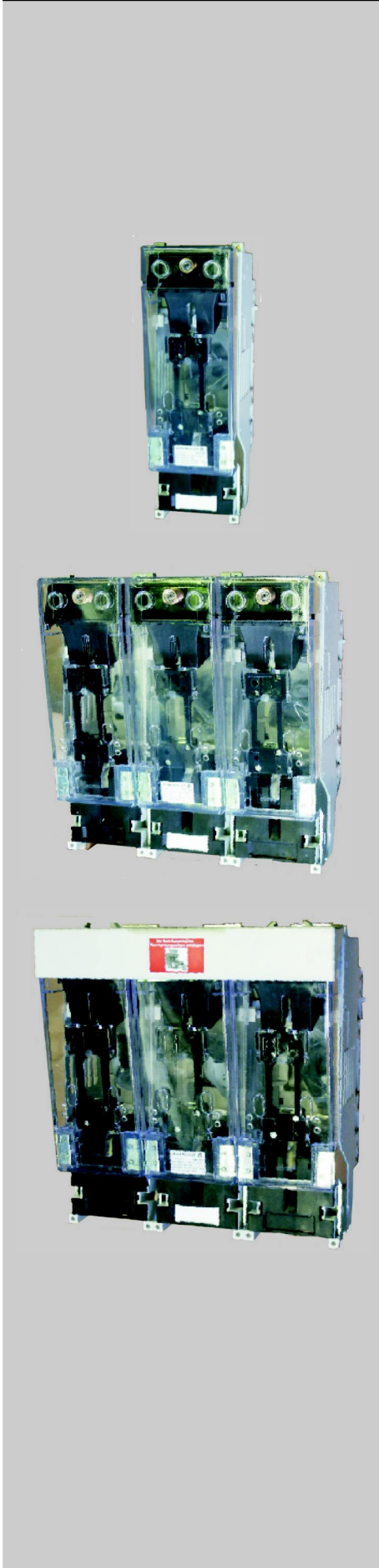
5 A/250 V a.c.
0.2 A /250V d.c.

Remote signalling of hinged cover position in 1-pole and 3-pole fuse switch-disconnector

State of contacts with closed cover:
contacts C – NO connected



FUSE SWITCH-DISCONNECTORS LTL4a FOR FUSE-LINKS WITH BLADE CONTACTS SIZE 4a



Fuse switch-disconnector LTL4a is intended for fuse-links with blade contacts size 4a. It enables safe disconnection of rated currents and overcurrents according to utilization

category and operating voltage. Basic part is made from glass reinforced polyester. The material is resistant both to mechanical load and high temperatures.

- Transparent cover is made from self-extinguishing polycarbonate, and contains a mechanical interlock, which protects the cover against undesirable opening at action of dynamic forces arising at short-circuiting.
- High breaking capacity.

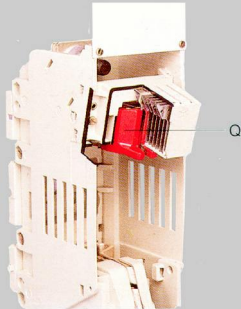
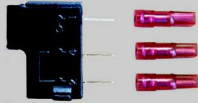
Fuse switch-disconnector 1250 and 1600 A

Type	Product code	I_n [A]	Design	Connection	Weight [kg]	Packing [pcs]
LTL4a-1x/1250/8	08213	1250	single-pole	1 x M16	5.600	1
LTL4a-1x/1600/8	14806	1600	single-pole	2 x M12	5.800	1

LTL4a-3x/1250/8	08211	1250	three-pole, 1-pole controlled	1 x M16	16.800	1
LTL4a-3x/1600/8	08714	1600	three-pole, 1-pole controlled	2 x M12	17.300	1

LTL4a-3x3/1250/8	07886	1250	three-pole, 3-pole controlled	1 x M16	17.700	1
LTL4a-3x3/1600/8	08212	1600	three-pole, 3-pole controlled	2 x M12	18.200	1

FUSE SWITCH-DISCONNECTORS LTL4a FOR FUSE-LINKS WITH BLADE CONTACTS SIZE 4a



Accessories

Description	Type	Product code	Weight [kg]	Packing [pcs]
Hinged cover position signalling, at closed cover, contacts 1 and 4 are connected (see diagram for connection), in case of 3-pole version, it is mounted in the central pole.	EMV-LTL4a	10423	0.005	1

Positive operating contacts **Q**, which enables safe operation of the fuse switch-disconnector even under extreme conditions. It prevents the blade contacts from getting in an intermediate position between „MAKE“ and „BREAK“. It allows disconnect the load at any state of the current circuit. (In order add „.../Q“ after the type reference.)

Disconnecting knife up to 1250 A	TM4a/1250A	10446	1.580	1
---	------------	-------	-------	---

Disconnecting knife up to 1600 A	TM4a/1600A	14801	1.680	1
---	------------	-------	-------	---

FUSE SWITCH-DISCONNECTORS LTL4a FOR FUSE-LINKS WITH BLADE CONTACTS SIZE 4a

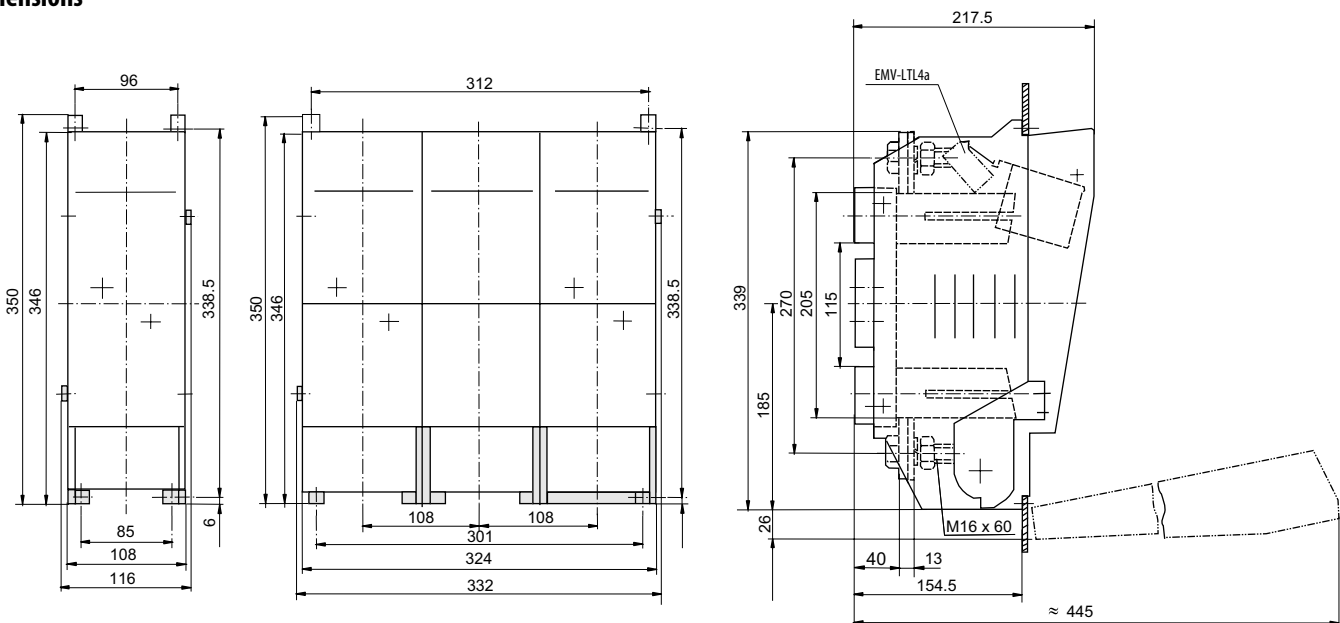
Parameters

Type		LTL4a...1250A	LTL4a...1600A
Rated voltage	U_n		690 V a.c. 250 V d.c.
Rated current	I_n	1250 A	1600 A
Utilization category		AC22B at 500 V a.c. AC21B at 500 V a.c.	AC22B at 400 V a.c. AC21B at 690 V a.c.
Rated making and breaking capacity		7500 A 3750 A 1875 A 1250 A	400 V a.c., $\cos \varphi = 0.35$ 500 V a.c., $\cos \varphi = 0.35$ 690 V a.c., $\cos \varphi = 0.35$ 220 V d.c., L/R = 15 ms
Thermal current with fuse-link	I_{th}	1450 A	1750 A
Thermal current with disconnecting knife TM4a...	I_{th}	1625 A	1900 A
Rated frequency	f		40 ÷ 60 Hz
Rated insulation voltage	U_i		750 V a.c.
Conditional short-circuit current (RMS)	I_{kn}		50 kA for 690 V a.c., 120 kA for 400 V a.c.
Impulse withstand voltage	U_{imp}		8 kV
Fuse-link size			4a
Max. power losses of the fuse-link	P_v	110 W	164 W
Power losses at I_n without fuse-link	P_v		67 W
Electrical durability	operating cycles		200
Mechanical durability	operating cycles		1000
Degree of protection from front side, built-in device, cover closed (measuring holes filled)			IP 20
Degree of protection from front side, built-in device, cover opened			IP 20
Permissible ambient temperature			-25 ÷ +55 °C
Altitude above sea level			max. 2000 m
Pollution degree			3
Overvoltage category for 690 V a.c.			III
Seismic resistance acc. to VE ŠKODA			3 g/8 - 50 Hz
Torque		50 ÷ 60 Nm	30 ÷ 45 Nm
Standards			IEC 60 947-1, -3 EN 60 947-1, -3

Approval marks



Dimensions

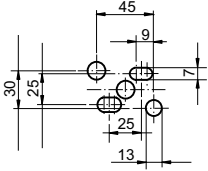


FUSE SWITCH-DISCONNECTORS LTL4a FOR FUSE-LINKS WITH BLADE CONTACTS SIZE 4a

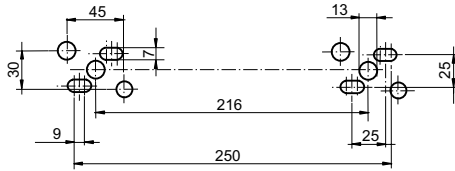
Dimensions

Drilling plans

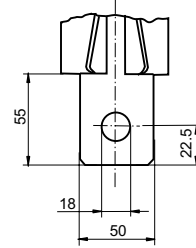
1 – pole



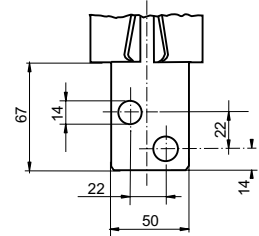
3 – pole



Terminals



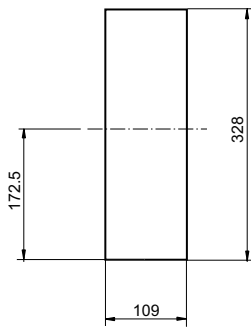
$I_n = 1250A$



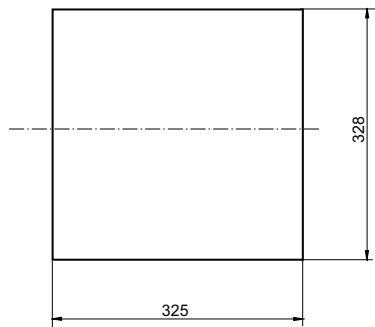
$I_n = 1600A$

Clearance

1 – pole

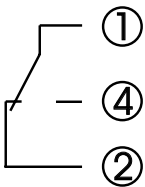


3 – pole



Remote signalling of hinged cover position in 1-pole and 3-pole fuse switch-disconnector

State of contacts with closed cover:
contacts 1 – 4 connected



FUSE SWITCH-DISCONNECTORS - VERTICAL DESIGN FOR FUSE-LINKS WITH BLADE CONTACTS SIZE 00 and 000

3-pole fuse switch-disconnectors of vertical design up to 160 A are intended for direct mounting on busbar system with spacing 100 or 185 mm.

- 3-pole or 1-pole control.
- Cable outlet can be by simple turning the base up or down, while keeping the panel cutout unchanged.
- Lockable by padlocks in disconnected position (only SL00-3x3/100/Q/F).
- Connecting terminals prepared for:
 - terminal screws M8 F00/3
 - terminal clips S00/3
 - prismatic clamps P0070/3
- Standard delivery - the fuse switch-disconnectors are equipped with terminal screws M8 on the cable outlet


Fuse switch-disconnector - vertical design up to 160A

Description	Type	Product code	I _n [A]	Busbar spacing [mm]	Weight [kg]	Packing [pcs]
3-pole control, terminal screws M8, torque 12-15 Nm, connection cross-section: 1x10 - 95 mm ² - cable lugs 20x10 mm - busbars	SL00-3x3/100/Q/F	00262	160	100 ¹⁾	1.400	1
1-pole control, terminal screws M8, torque 12-15 Nm, connection cross-section: 1x10 - 95 mm ² - cable lugs 20x10 mm - busbars	SL00-3x/F	14802	160	185	2.400	1

¹⁾ 185 mm with adapter AL185-SL00

Accessories

Description	Type	Product code	Weight [kg]	Packing [pcs]
Terminal clips - set of 3 pcs , torque 4.5 Nm, connection cross-section of conductors: Cu 1.5 ÷ 70 mm ² - untreated conductors Cu 6x9x0.8 mm - flexo busbars	S00/3	00298	0.040	1

Prismatic clamps - set of 3 pcs , torque 2.6 Nm, connection cross-section of conductors: Cu, Al 10 ÷ 70 mm ² - untreated conductors	P0070/3	00303	0.100	1
---	---------	-------	-------	---

Compensation covers (set - top and bottom). To compensate mounting height of the fuse switch-disconnectors SL00-3x3/100/Q/F with disconnectors of sizes 1, 2 and 3.	BO/BU-SL00	00319	0.140	1
--	------------	-------	-------	---

Hinged cover position signalling for SL00-3x3/100/Q/F, at closed cover, the contacts 1 and 4 are connected (see diagram for connection)	EV-SL00/100	00321	0.005	1
--	-------------	-------	-------	---

Adapter for mounting on 185 mm busbar system, for connection of two fuse switch-disconnectors SL00-3x3/100/Q/F, enables compensation of mounting depth in combination with fuse switch-disconnectors - vertical design sizes 1, 2 and 3.	AL185-SL00	11281	0.800	1
---	------------	-------	-------	---

Adapter for mounting on 185 mm busbar system, for connection of two fuse switch-disconnectors SL00-3x/F, enables compensation of mounting depth in combination with fuse switch-disconnectors - vertical design sizes 1, 2 and 3.	AL-SL00	11282	0.680	1
--	---------	-------	-------	---

