

Vacuum circuit breakers with integrated protection and front operating mechanism

"Suits every MV Substation world-wide"

In addition to our range of vacuum circuit breakers with integrated protection and lateral drive, we also present a range of vacuum circuit breakers with integrated protection and front operating mechanism.

The main technical characteristics of these apparatuses, the data of the L.V. circuits, the protection relay and the current transformers are similar to those of the lateral circuit breaker.

(see commercial brochure VBL-DPIL T&D BPROB / VKE 09.01)

The circuit breakers DPI F can be equipped with the new ALSTOM range of protection relays MiCOM P124 with the following advantages :

- Integrated protection and supervision system
- Guarantees the complete and safe protection of medium voltage feeders
- Doesn't require any auxiliary power supply
- Accuracy and flexibility of the digital protection
- Very compact, maintenance free and cost-effective
- Ideal protection against undesirable environmental effects
- Mechanical indication flags (1 and 5)



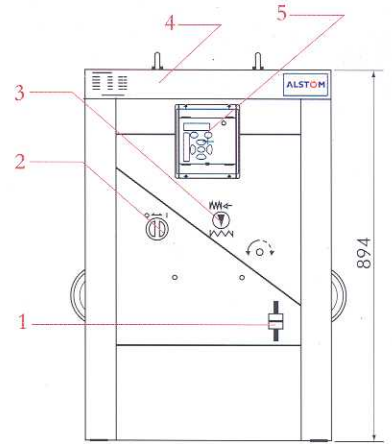
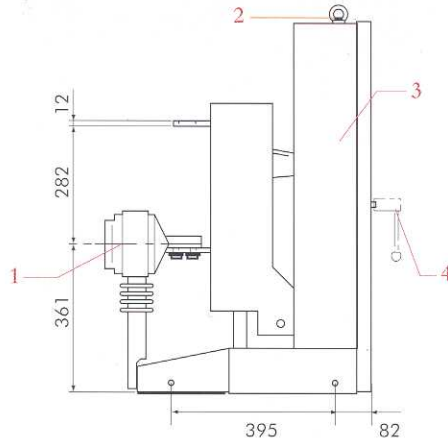
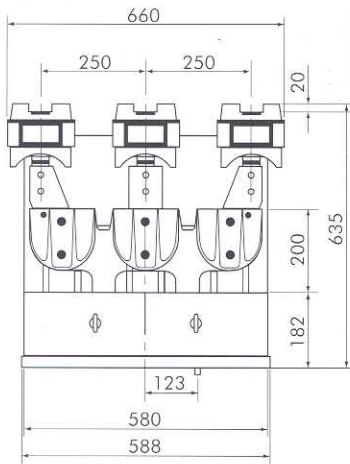
Options

When an external energy supply is available, the dual-powered model may offer the following automation features :

- Autoreclosing
- Monitoring
- Communication

Designation	Rated voltage	Rated current	Breaking capacity
DPI 4-25/8 F	12 kV	800 A	25 kA
DPI 5-25/8 F	17.5 kV	800 A	25 kA
DPI 6-16/6 F	24 kV	630 A	16 kA
DPI 6-25/8 F	24 kV	800 A	25 kA

DPI F with spring mechanism type CRR 1000



- 1 Current transformer
- 2 Lifting and operating mechanism maintaining ring
- 3 Spring operating mechanism
- 4 Removable spring charging lever

- 1 Position indicator circuit-breaker
- 2 Operating knob
- 3 Position indicator closing spring
- 4 Rating plate
- 5 Protection relay

System of integrated protection DPI F with MiCOM P 124 D

